

RetroSound[®]

RetroMod[®] SERIES

Owner's manual

R-C652N

6.5" 2-Way Component System



Retro Manufacturing, LLC
Chino, California 91710
Phone: 909-364-1372
Fax: 909-364-8670
retrosoundusa.com

Version 1.0
October 2012



Introduction

Dear Customer,

Congratulations on your purchase. At Retro Manufacturing, we are obsessed with musical reproduction at its best, and are pleased you chose our product. Through years of engineering expertise, and critical testing procedures, we have created a wide range of products that reproduce music with all the clarity and richness you deserve.

Please read your warranty and retain your receipt and original carton for possible future use.

Great product and competent installations are only a piece of the puzzle when it comes to your system.

If, after reading your manual, you still have questions regarding this product, we recommend that you email us at: support@retrosoundusa.com or call us at 909-364-1372. Be sure to have your model number and date of purchase available when you call.

Installation

INSTALLATION CONSIDERATIONS

The following is a list of tools needed for installation:

#2 Phillips screwdriver / Battery post wrench / Hand held drill w/assorted bits/ Wire strippers/Wire crimpers/ Wire cutters

For custom installations see a professional installer for help with your install.

CAUTION If you feel unsure about installing this system yourself, have it installed by a qualified professional installer.

CAUTION Before installation, disconnect the battery negative (-) terminal to prevent damage to the unit, fire and/or possible injury.

Before beginning any installation, follow these simple rules:

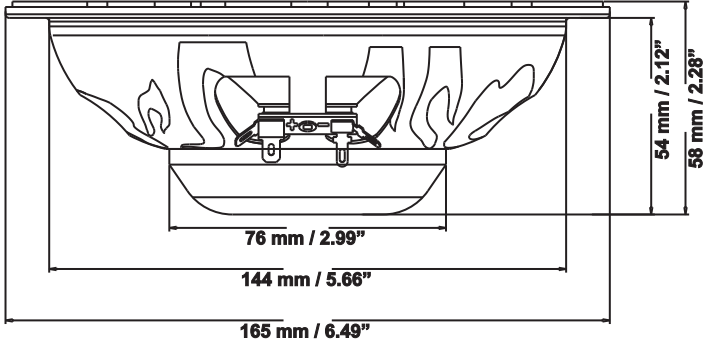
1. Be sure to carefully read and understand the instructions before attempting to install the unit.
2. For safety, disconnect the negative lead from the battery prior to beginning the installation.
3. For easier assembly, we suggest you run all wires prior to mounting your unit in place.
4. Use high quality connectors for a reliable installation and to minimize signal or power loss.
5. Think before you drill! Be careful not to cut or drill into gas tanks, fuel lines, brake or hydraulic lines, vacuum lines or electrical wiring when working on any vehicle.
6. Never run wires underneath the vehicle. Running the wires inside the vehicle provides the best protection.
7. Avoid running wires over or through sharp edges. Use rubber or plastic grommets to protect any wires routed through metal, especially the firewall.

MOUNTING

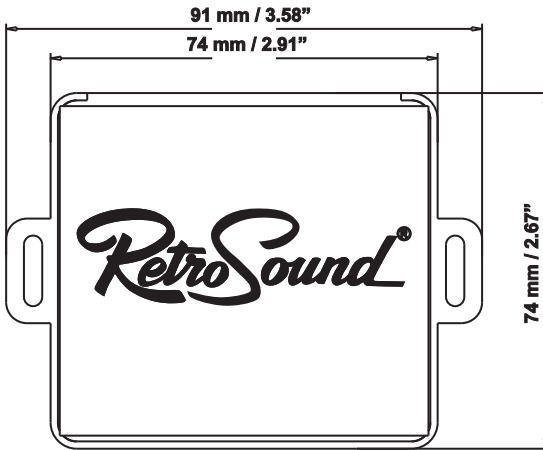
1. Determine where the speakers will be mounted. Ensure an area large enough for the speaker to mount evenly. Be sure that the mounting location is deep enough for the speaker to fit; if mounting in a door, operate all functions (windows, locks, etc.) through their entire operating range to ensure there is no obstruction.
2. Refer to the specification chart to determine the proper diameter hole to cut for your speaker model.
3. Using the grille (not included in most models) as a template, mark the locations for the mounting screws. Drill the holes with a 1/8" bit.
4. Feed the speaker wires through the cutout and connect to the speaker terminals. Be sure to observe proper polarity when connecting the wires. The speaker's positive terminal is indicated with a "+".
5. Fit the speaker to the cutout. Fit the grille over the speaker (Where applicable). Mount them using the enclosed screws.
6. Tighten the screws until the speaker and is snug in place to prevent rattling. Do not overtighten the screws.

Installation: What's in the box

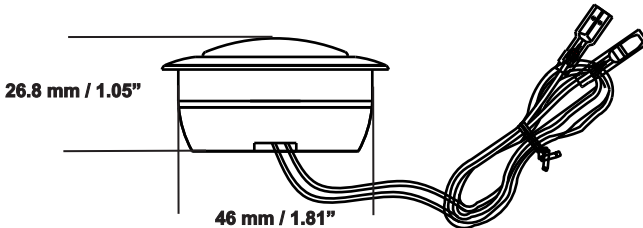
Included items:



Qty: 2 6.5" midbass drivers w/ wire mesh grilles



Qty: 2 2-Way crossover module



Qty: 2 Tweeter w/ surface & flush mount kit

Installation: Getting Started

GETTING STARTED

- Turn off the audio system. It is also advisable to disconnect the negative (-) terminal of your vehicle's battery whenever performing installation work.
- Before cutting, drilling or inserting any screw, check clearances on both sides of the planned mounting surface. Also check for any potential obstacles, such as window tracks and motors, wiring harnesses, etc. Check both sides of the vehicle, many vehicles are not symmetrical.

CROSSOVER NETWORK INSTALLATION

The crossover networks supplied with your RS-C652N system are water resistant and can be installed inside doors, and other areas that may be susceptible to the elements. Before completing the install, please take all precautions to make sure that your connections are also water resistant and you have used a silicone based caulk or sealant to make sure your crossover is as resistant to the elements as possible. The crossovers can be screwed into a solid surface via the included mounting points.

Make sure that your mounting location will not cause damage to wiring, fuel lines, brake lines or any other vital component of your vehicle.

TWEETER PROTECTION

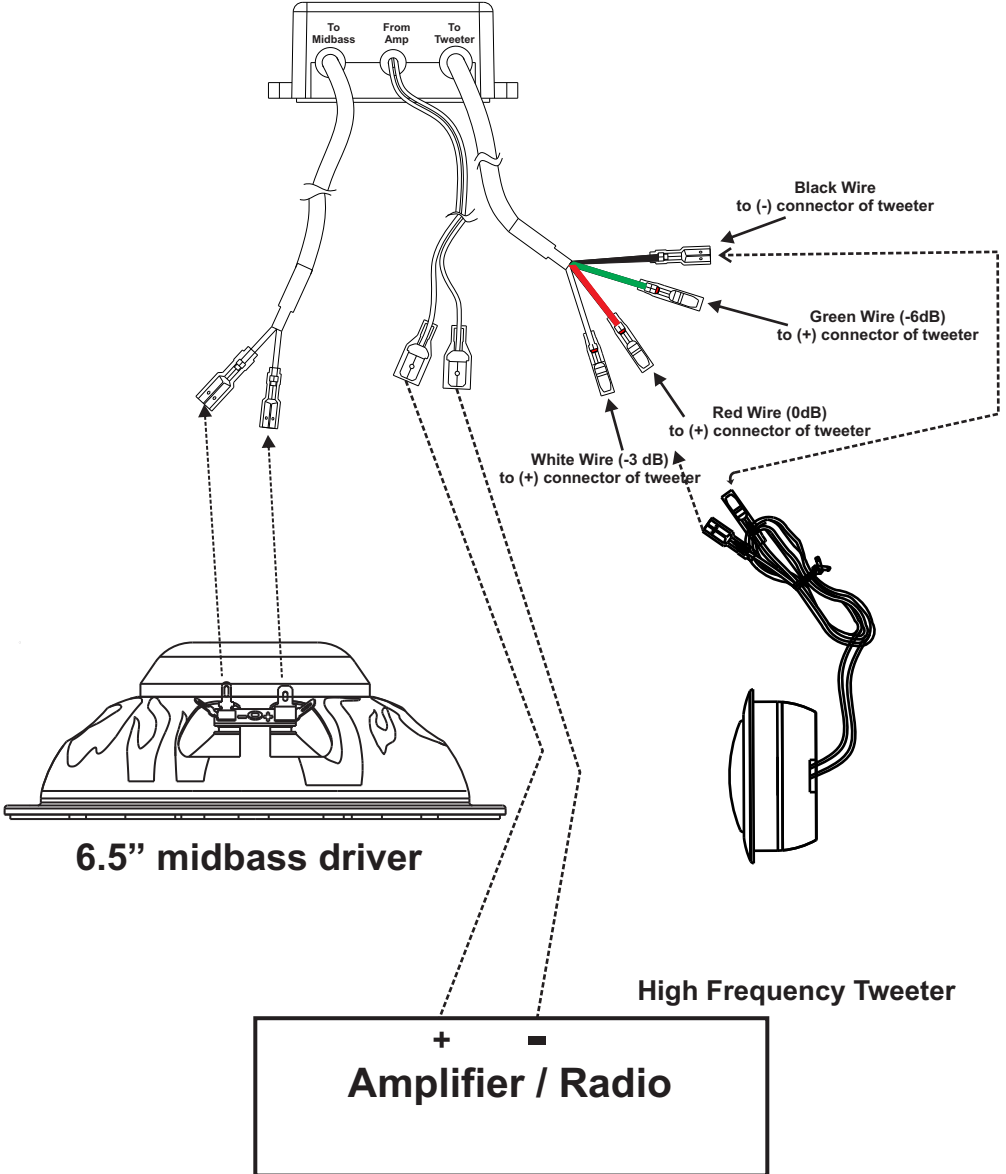
The RS-C652N crossover networks are equipped with an advanced electronic tweeter protection circuit designed to minimize the possibility of tweeter failure. This electronic device monitors current going to the tweeter and will disconnect the tweeter from the signal when it senses overload. Should this occur while listening to the audio system, simply reduce the volume for a few seconds and the protection circuit will reset itself automatically.

CROSSOVER NETWORK ADJUSTMENT

The crossover networks have been designed to allow tonal adjustments for tweeter levels in 0, - 3db, and -6dB increments. These adjustments made via the wiring connections, make it possible to fine-tune your system to suit your listening preferences and to compensate for various speaker mounting applications.

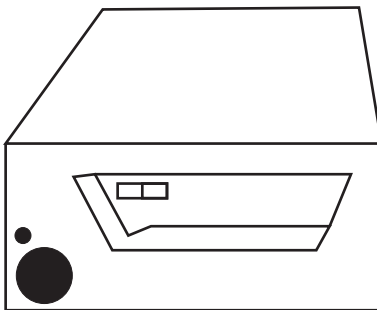
Installation: Wiring Connections

2-Way crossover module



SPEAKER PLACEMENT CONSIDERATIONS

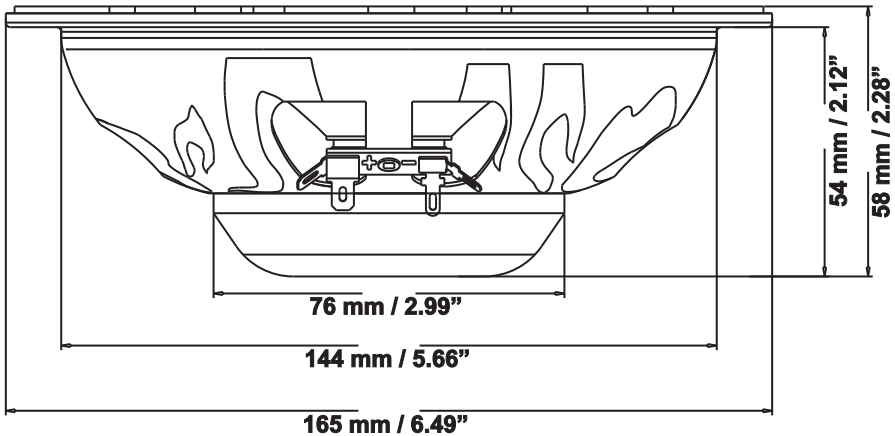
A component system gives you the ability to place the mid woofer and tweeter separately in your vehicle interior. This can be good or bad, depending on how it's done. As a general rule, the tweeters should be placed relatively close to the woofers for best tonal balance and most coherent imaging (the closer, the better). Any separation greater than 8 inches (20 cm) is likely to result in degraded sound quality. Avoid placing tweeters where they will be blocked by objects in the interior of the car (including seated occupants). When selecting a mounting location, look at both sides of the car to make sure that this location is clear on both sides. You can always experiment with tweeter placement before committing to a final mounting location. Simply connect the rest of the system and allow plenty of wire length for the tweeters. Using Velcro® or similar material, attach the tweeters in different locations until you find the one where they perform best. Woofers will usually be placed into factory speaker locations. If you have some woofer mounting flexibility, keep the following in mind: Lower mounting locations, such as the lower front corner of a door or a kick-panel provide the greatest path length distances for the sound emitted by the woofer. For this reason, they are generally more desirable than higher mounting locations. Higher mounting locations often result in extreme soundstage bias which compromises the stereo listening experience.



Example of optimum speaker placement

Speaker Specifications

Specifications	R-C652N
Nominal Size	6.5" (165.10 mm)
RMS Power Handling	85 watts
Peak Power Handling	150 watts
Nominal impedance	4 ohms
Frequency Response	52Hz-21kHz (± 3 dB)
Sensitivity	89 dB (1watt @ 1 meter)



Note: We're always improving our products. The above specifications are subject to change without notice.

Please email us at: support@retrosoundusa.com or visit us on the web for any spec updates.



LIMITED WARRANTY

If your product does not work properly because of defects in materials and workmanship RetroSound a division of Retro Manufacturing, LLC (collectively referred to as "the warrantor") will, for the length of the period indicated in the chart below, which starts with the date of original purchase ("warranty period"), at its option either (a) repair your product with new or refurbished parts, or (b) replace it with a new or refurbished product. The decision to repair or replace will be made by the warrantor.

CATEGORIES	PARTS	LABOR
Radios	One (1) Year	One (1) Year
Speakers	One (1) Year	One (1) Year
Accessories (Remotes, cables, etc)	90 Days	90 Days

During the "Labor" warranty period, there will be no charge for labor. During the "Parts" warranty period, there will be no charge for parts. You must carry in or mail in your product prepaid during the warranty period. If non rechargeable batteries are included, they are not warranted. This warranty only applies to products purchased and serviced in the United States, Alaska, Hawaii or Puerto Rico. This warranty is extended only to the original purchaser of a new product which was not sold "as is". A purchase receipt or other proof of the original purchase date is required for warranty service.

To handle a warranty issue, contact us at 909-364-1372 or email us at support@retrosoundusa.com and get a Return Authorization number, all returns and warranty issues must receive a Return Authorization (RA) number. Any product received without a RA number will be Refused.

Retro Manufacturing, LLC
Chino, California 91710
Phone: 909-364-1372
Fax: 909-364-8670

LIMITED WARRANTY LIMITS AND EXCLUSIONS

This warranty ONLY COVERS failures due to defects in materials and workmanship, and DOES NOT COVER normal wear and tear or cosmetic damage. The warranty ALSO DOES NOT COVER damages which occurred during shipment, failures which are caused by products not supplied by the warrantor, failures which result from accident, misuse, abuse, neglect, bug infection, mishandling, misapplication, alteration, faulty installation, set-up adjustment, maladjustment of consumer control, improper maintenance, improper antenna, inadequate signal reception or pickup, power line surge, improper voltage supply, lightning, modification, commercial use (such as use in hotels, offices, restaurants, or other business uses) or rental use of the product, or service by anyone other than the technician from Factory Service center or other authorized service centers, or damage that is attributable to acts of God.

THERE ARE NO EXPRESS WARRANTIES EXCEPT AS LISTED UNDER "LIMITED WARRANTY COVERAGE". THE WARRANTOR IS NOT LIABLE FOR INCIDENTAL OR CONSEQUENTIAL DAMAGES RESULTING FROM THE USE OF THIS PRODUCT, OR ARISING OUT OF ANY BREACH OF THIS WARRANTY. (As examples, this excludes damages for lost time, cost of having someone remove or re-install an installed unit if applicable, travel to and from the sevicer, and loss of media, data or other memory contents. The items listed are not exclusive, but are for illustration only.) **ALL EXPRESS AND IMPLIED WARRANTIES, INCLUDING THE WARRANTY OF MERCHANTABILITY, ARE LIMITED TO THE PERIOD OF THE LIMITED WARRANTY.**

Some states do not allow the exclusion or limitation of incidental or consequential damages, or limitations on how long an implied warranty lasts, so the exclusions may not apply to you.

This warranty gives you specific legal rights and you may also have other rights which vary from state to state. If a problem with this product develops during or after the warranty period, you may contact your dealer or Service Center.

RetroSound[®]

RetroMod[®] SERIES

Owner's manual

R-C652N

6.5" 2-Way Component System



Retro Manufacturing, LLC
Chino, California 91710
Phone: 909-364-1372
Fax: 909-364-8670
retrosoundusa.com

Version 1.0
October 2012