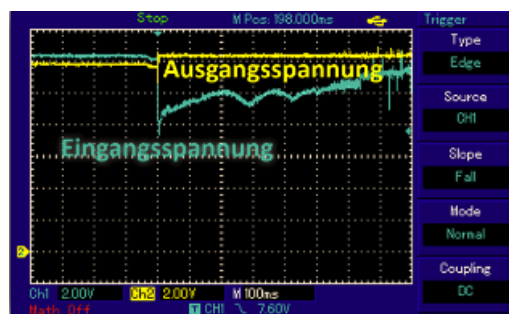


## Power Booster

### AC-PWR-ST

**Digital Power Booster for  
stabilization of the operating voltage  
of the connected consumer loads**

**ATTENTION!**  
**Maximum ampacity 4A!!!**



#### Product features

- Stabilizing the voltage to constant +12V
- Filter for unwished fluctuations of the voltage respectively interference waves
- Maximum ampacity 4A
- +12V trigger output

## Contents

### 1. Prior to installation

#### 1.1. Delivery contents

### 2. Connections

### 3. Connection scheme

#### 3.1. Connecting a CAN-bus compatible after-market device

#### 3.2. Connecting an after-market device without CAN-bus

#### 3.3. Connecting in vehicles without CAN-bus

### 4. Specifications

### 5. Technical support

## Legal Information

Changes/updates of the vehicle's software can cause malfunctions of the interface. We offer free software-updates for our interfaces for one year after purchase. To receive a free update, the interface must be sent in at own cost. Labor cost for and other expenses involved with the software-updates will not be refunded.

## 1. Prior to installation

Read the manual prior to installation. Technical knowledge is necessary for installation. The place of installation must be free of moisture and away from heat sources.

### 1.1. Delivery contents

*Take down the SW-version and HW-version of the interface boxes, and store this manual for support purposes.*

**Harness (output)**  
CAB-AC-PWR-ST-O

**Interface-box**  
ACC-PWR-ST  
HW \_\_\_\_\_ SW \_\_\_\_\_



**Harness (input)**  
CAB-AC-PWR-ST

## 2. Connections

### Input (vehicle)

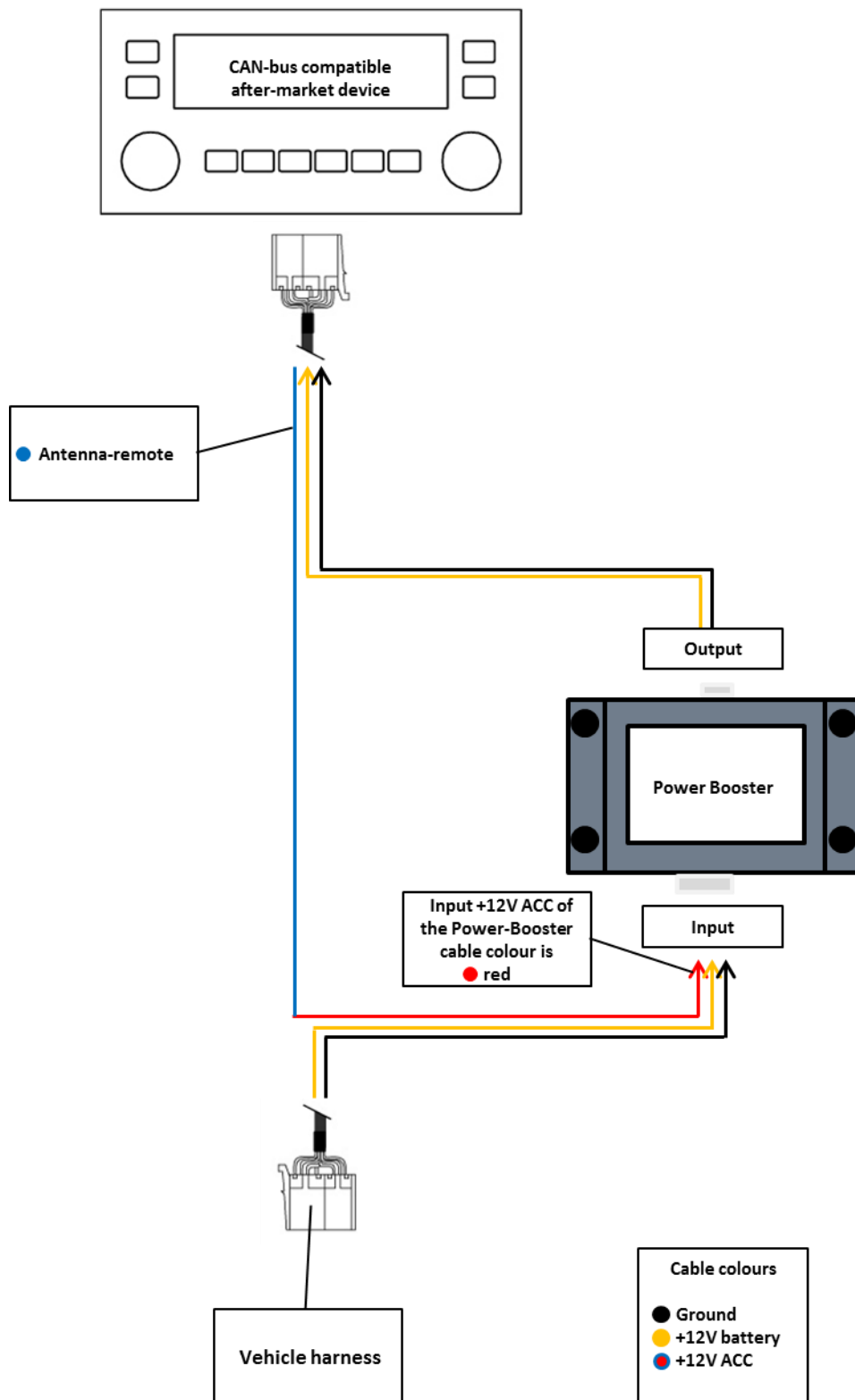
Colour	Assignment
● Yellow	+12V Battery
● Black	Ground
● Red	+12V ACC

### Output (connected consumer load)

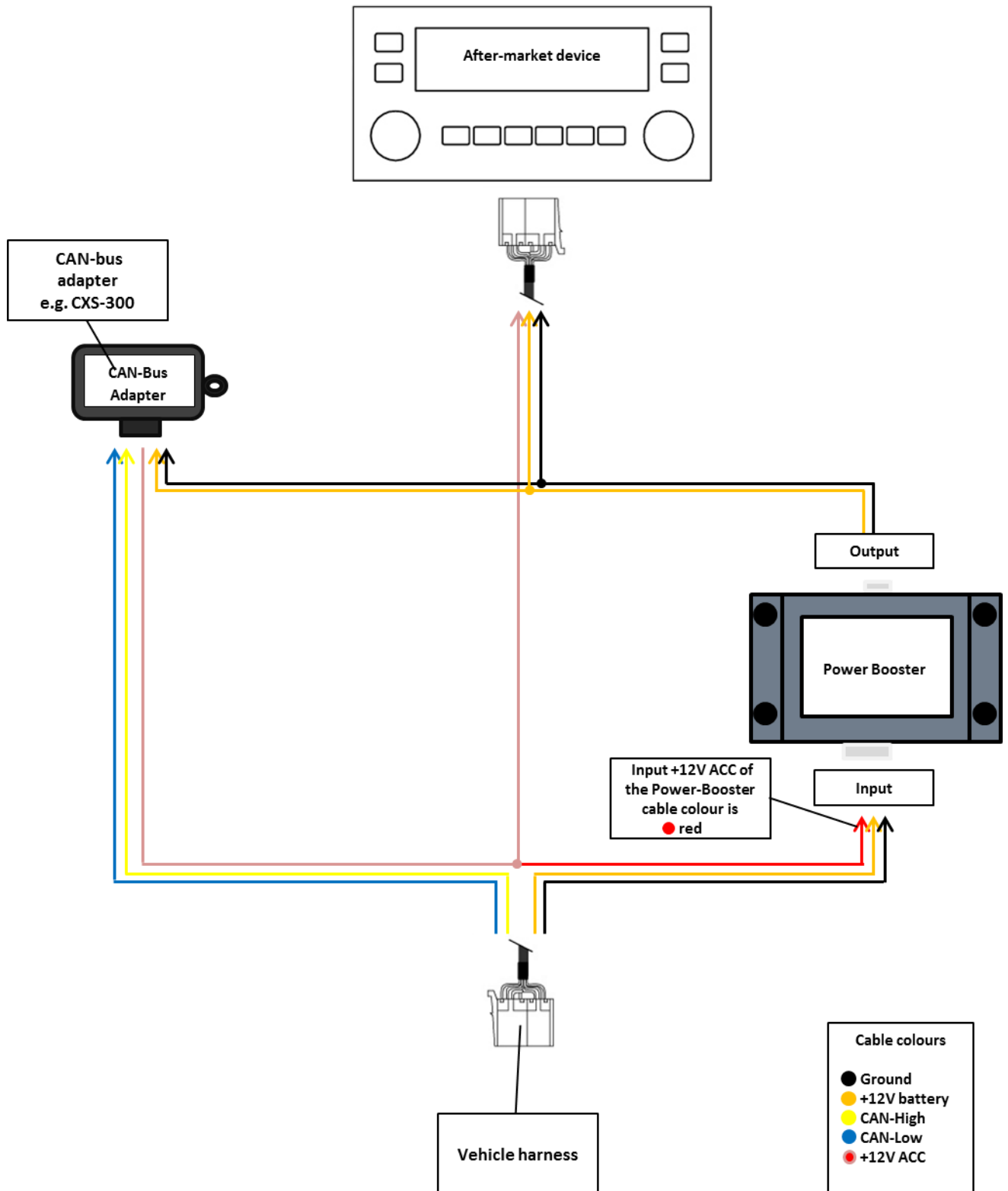
Colour	Assignment
● Black	Ground
● Yellow	+12V constant (max.4A)
● Pink	+12V trigger output (max. 1A)

## 3. Connection scheme

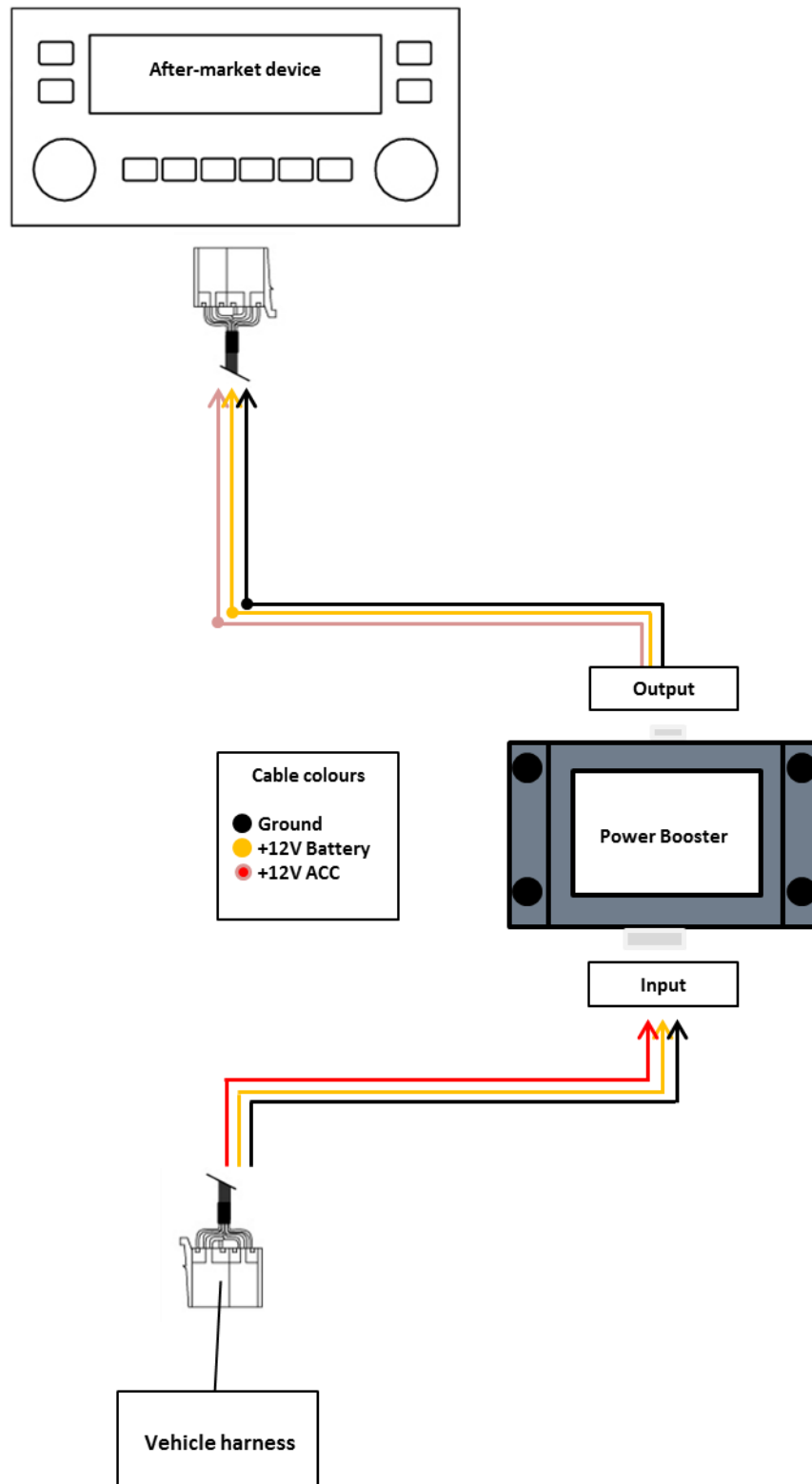
### 3.1. Connecting a CAN-bus compatible after-market device



### 3.2. Connecting an after-market device without CAN-bus




### 3.3. Connecting in vehicles without CAN-bus



## 4. Specifications

Operation voltage	6.0 – 14.8V
Stand-by power drain	0.7mA
Power consumption	<3A
Max. ampacity	4A
Temperature range	-30°C to +80°C
Weight	68g
Measurements (box only) B x H x T	106 x 30 x 71 mm

CE  12V DC

## 5. Technical support

**Caraudio-Systems Vertriebs GmbH**  
*manufacturer/distribution*  
Rheinhorststr. 22  
D-67071 Ludwigshafen am Rhein

**NavLinkz GmbH**  
*corporate sales/tech dealer-support*  
Eurotec-Ring 45  
D-47445 Moers

phone +49 180 3 907050  
email [support@caraudio-systems.de](mailto:support@caraudio-systems.de)

**Legal disclaimer:** Mentioned company and trademarks, as well as product names/codes are registered trademarks ® of their corresponding legal owners.