

Updated date: 2016.01.13

Model: RGB-LE-V3.1 / Product code: RB-100126-013

VL6-PCM2-911

Specification & Installation

*Compatible with Porsche PCM2.1 in
sports vehicles (911, Boxster)*

Contents

1. Before installation

1.1 Main specification -----	3
1.2 System diagram-----	4
1.3 Components-----	5
1.4 Exterior -----	6

2. Setup

2.1 DIP switch-----	7
2.2 Remote controller -----	8
2.3 Power cable wiring diagram -----	9

3. Installation

3.1 Installation diagram -----	10
3.2 Cautions on installation -----	11

4. Troubleshooting -----	14
--------------------------	----

5. Photo series -----	15
-----------------------	----

1.1 Main Specification

1. Input Spec. (MULTI VIDEO INTERFACE)

- 2 x CVBS Input (External video source).
- 1 x CVBS (REAR CAMERA) Input (Rear camera source)
- 1 x Analog RGB Input (Car commander original monitor output)
- 1 x Analog RGB Input (Navigation System output)-→OPTION

2. Output Spec.

- 1 x CVBS OUTPUT (Video Out for installing Headrest monitor)
- 1 x RGB OUTPUT(LCD Operation)
- 1 x Audio Select OUTPUT (For operating A/V sources – (ex) 12V is come out on V1 port, when AV1 is chosen.)

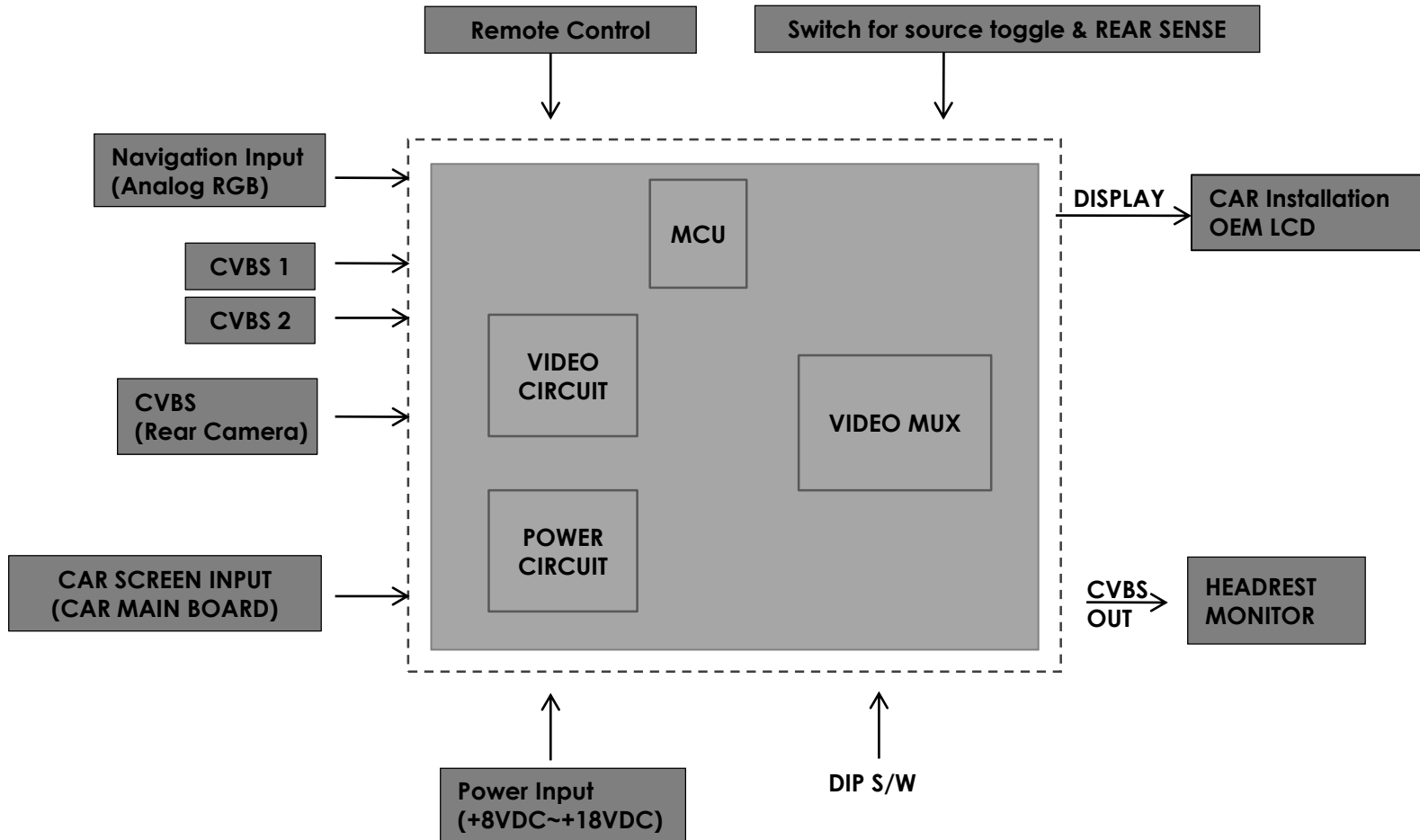
3. Power Spec.

- Input Power : 8VDC ~ 18VDC
- Consumption Power : 5WATT, Max

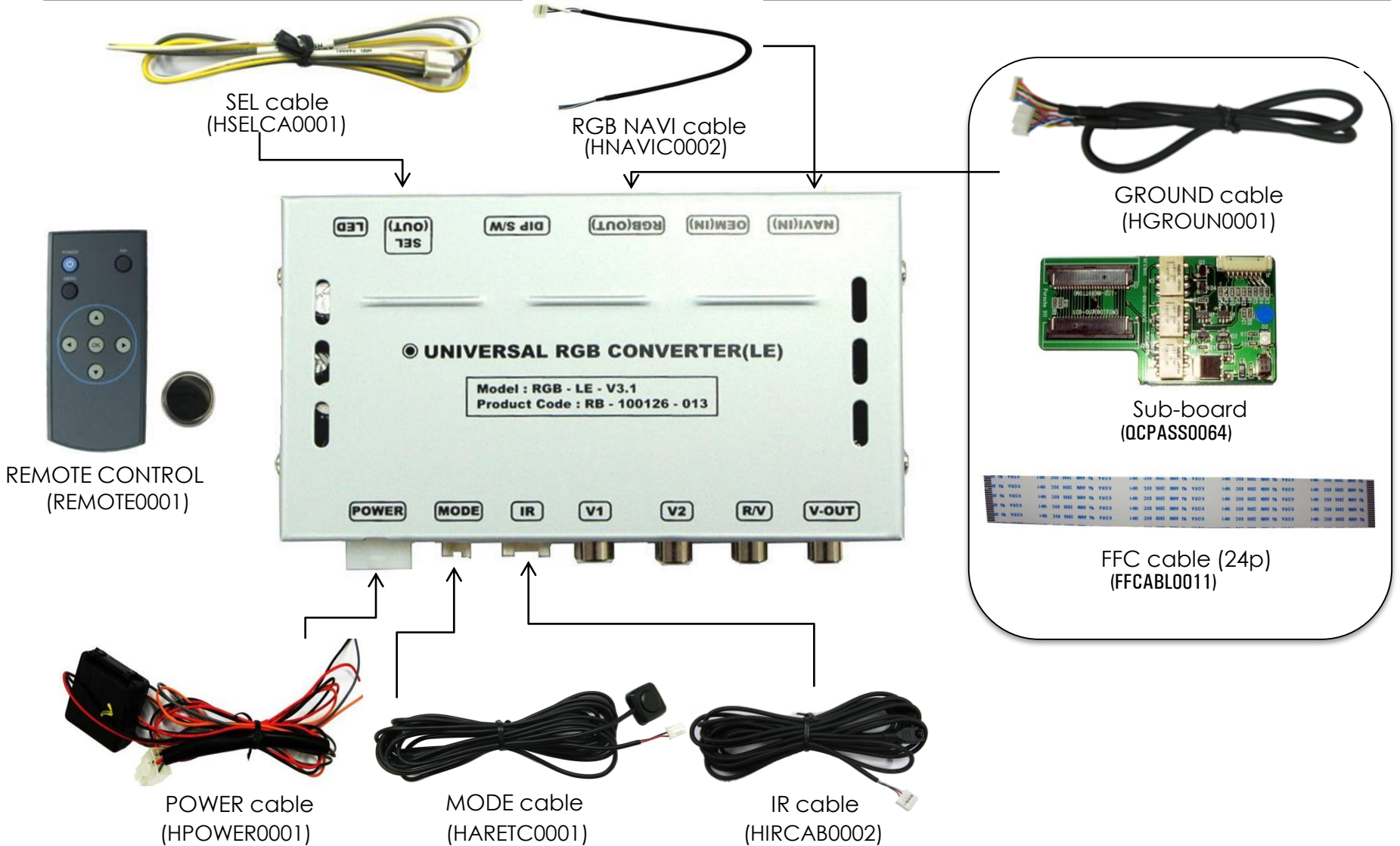
4. Switch Input mode

- NAVI/CVBS1,2 Original MUTE Function : Possible to mute each input by operating Dip S/W
- Possible to switch Input mode with remote control or toggle switch.
- Rear View Camera mode : When to sense rear gear power, be switched to Rear view camera mode (Impossible to switch to rear mode with Toggle S/W or the Remote control)

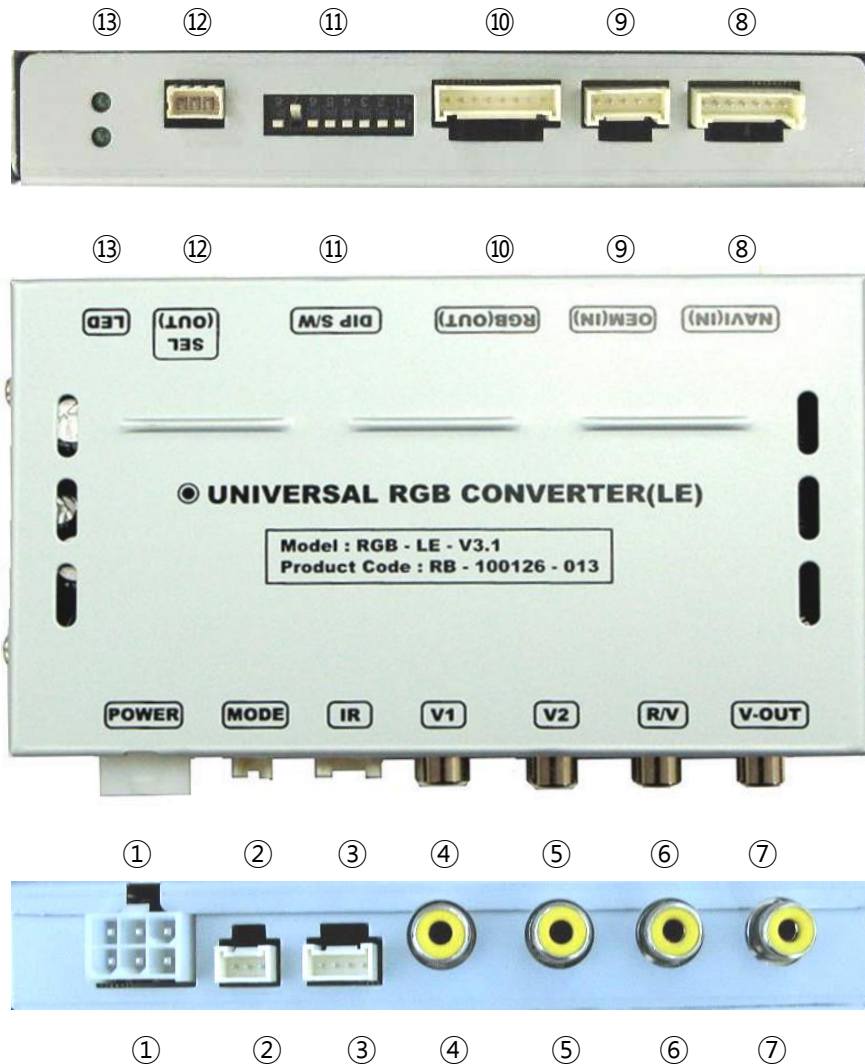
1.2 System Diagram



1.3 Components



1.4 Exterior



Dimension

Horizontal length 129mm
 Vertical length 75mm
 Height 21mm

- ① POWER connector
- ② MODE connector for external button
- ③ IR-sensor connector
- ④ CVBS input V1
- ⑤ CVBS input V2
- ⑥ Rear cam input R/V
- ⑦ CVBS video output
- ⑧ RGB NAVI (IN)
- ⑨ OEM (IN)
- ⑩ RGB (OUT)
- ⑪ Dip switches DIP S/W
- ⑫ AUDIO-SEL
- ⑬ Power LED

2.1 DIP switch

#PIN	Function	DIP S/W selection
1	RGB INPUT	ON : Deactivated OFF: Activated
2	CVBS1 INPUT	ON : Deactivated OFF: Activated
3	CVBS2 INPUT	ON : Deactivated OFF: Activated
4	CAN	SET OFF
5	OEM picture	ON : Skipping OEM picture OFF: OEM activated (normal use)
6	INTERLACE*	ON : Non-Interlace OFF: Interlace
7	REAR-VIEW CAMERA MODE	ON : After-market rear-view camera OFF: OEM rear-view camera
8	SYNC ON GREEN	SET OFF



* Caution
If the displayed screen vibrates, try to operate
Dip S/W No. 6 after turning power off.

Please make sure to disconnect the power cable of the interface and reconnect the power cable again to apply the dip switch setting whenever changing DIP switch. Otherwise, DIP switch setting will not be applied.

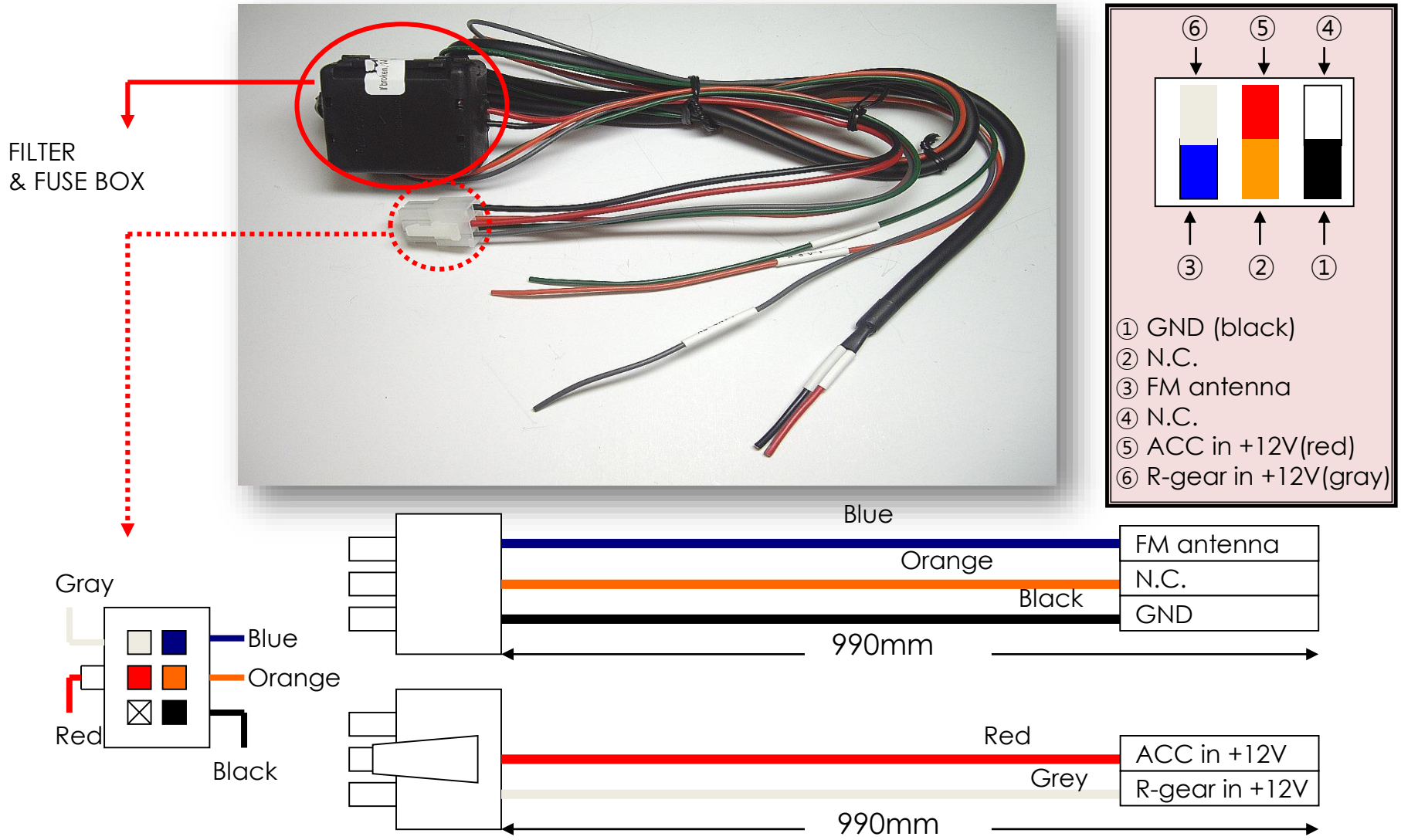
2.2 Remote controller

Key	Function
POWER & PIP	No function
MENU	No function
OK	Making a selection
▲	Brightness higher
▼	Brightness lower
◀	Color lower
▶	Color higher



SIZE : 85 * 40 * 8 (mm)

2.3 Power cable wiring diagram

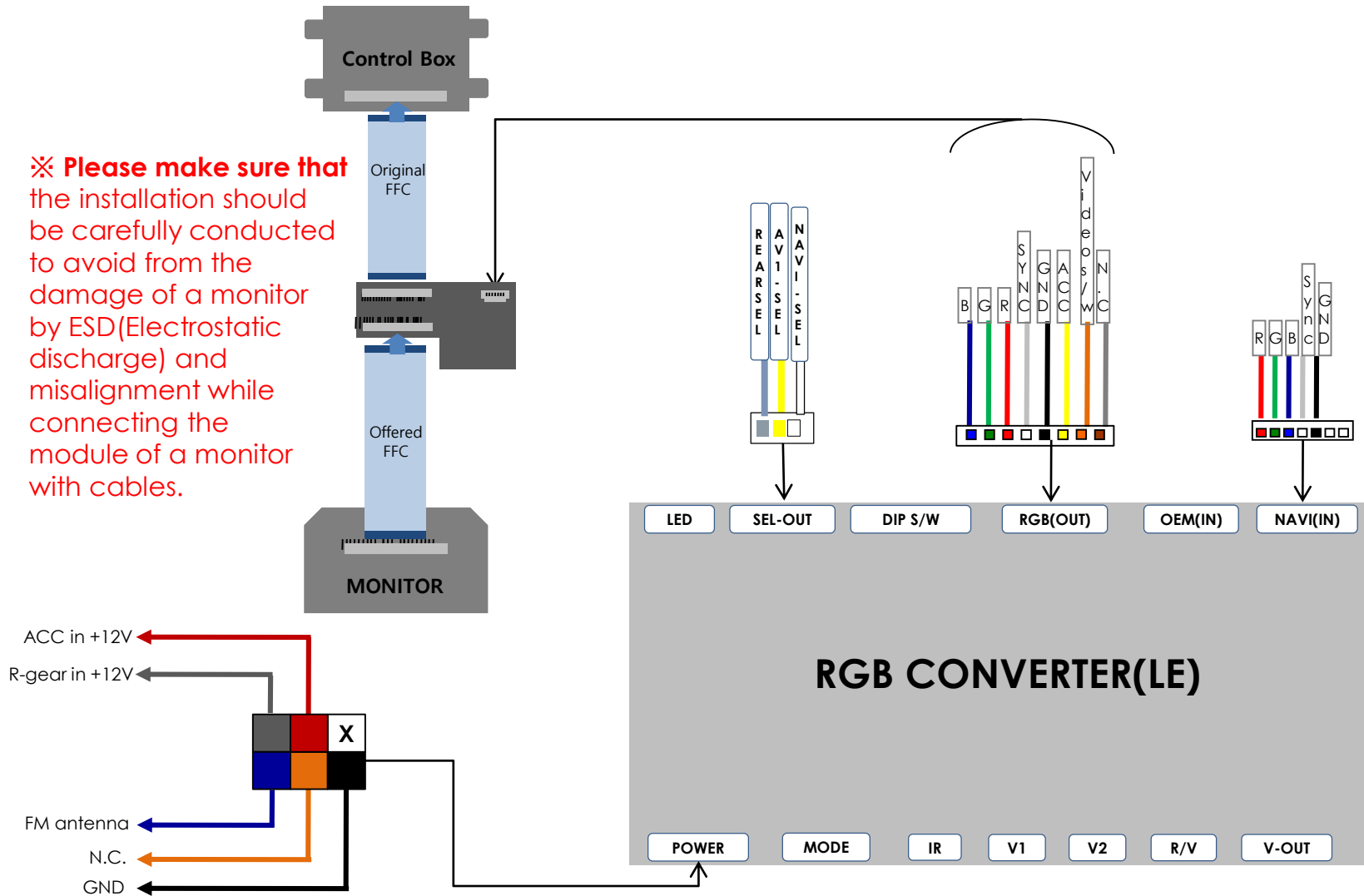


3.1 Cautions on installation

- Ignition key should be taken off before starting installation, interface power connection must be the last step in installation.
- Power cable should be separated when connecting interface.
- Should be no any electronic devices or magnetic pole around installation place.
- All steps of installation should be done by well-trained specialist.
- Dismantling without manufacturer's permission can not be guaranteed, (No permission to break attached label on the board.)
- Kindly check all parts are in the box, when receiving the product, if anything missing, inform to the supplier or manufacturer.
- According to our sales policy, any problems caused by user's mistake, careless can not be guaranteed.
- It may not work on a camera with 12V

3.2 Installation diagram

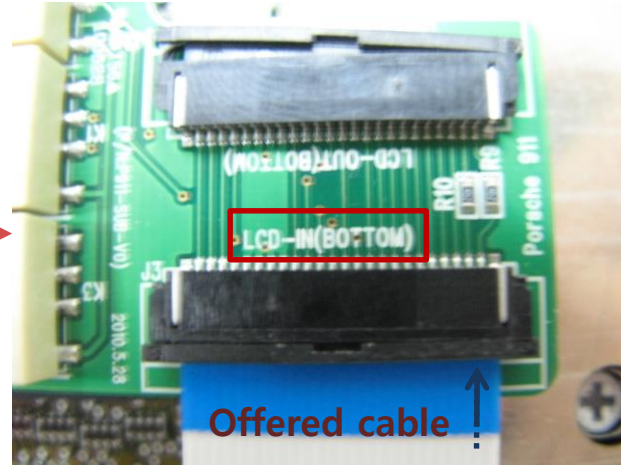
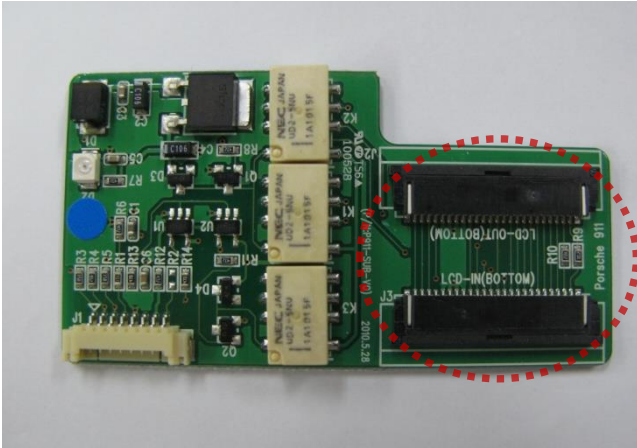
※ Please make sure that the installation should be carefully conducted to avoid from the damage of a monitor by ESD(Electrostatic discharge) and misalignment while connecting the module of a monitor with cables.



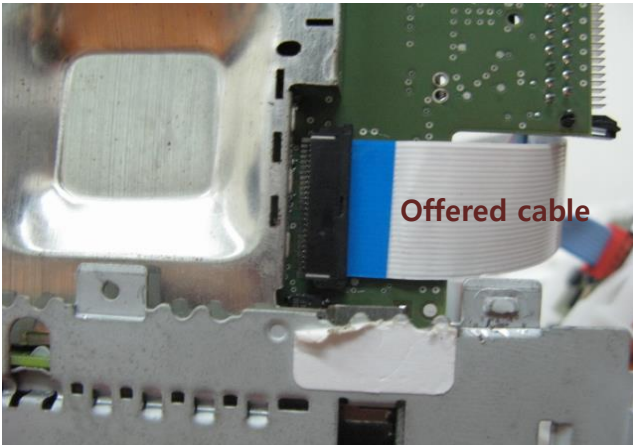
3.3 Installation

1. Connect sub-board to head unit.

▪ SUB Board



▪ PORSCHE Board

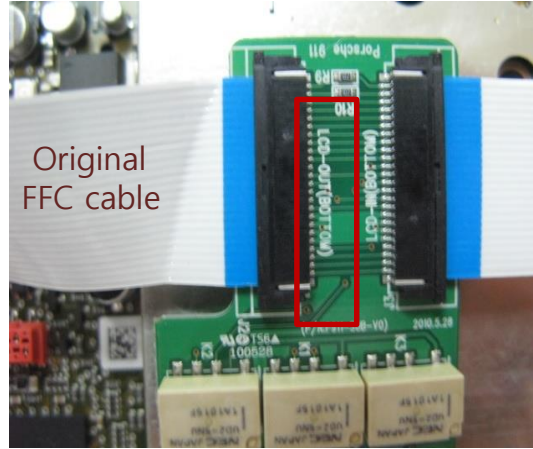
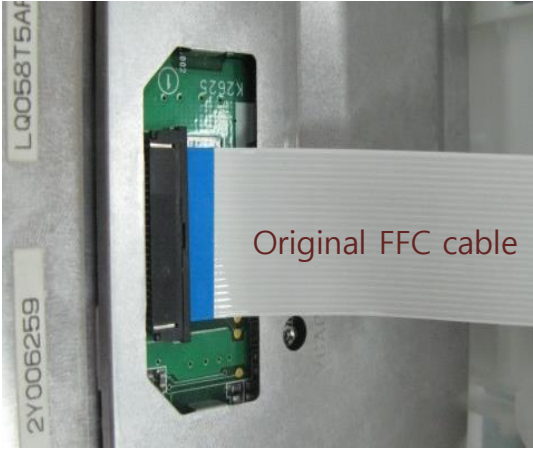


Connect offered FFC cable to sub-board.(LCD-IN (BOTTOM))

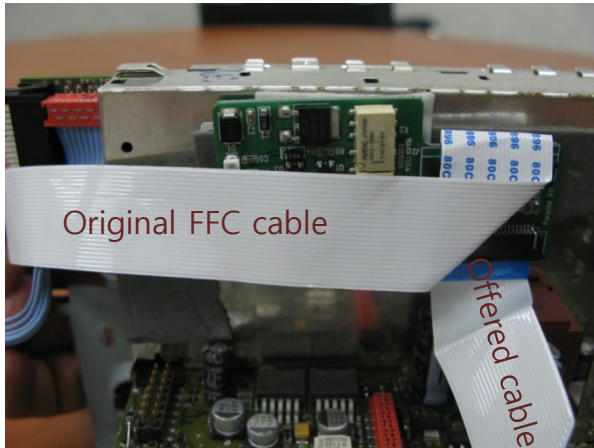
3.3 Installation

2. Connect Original FFC cable to sub-board.

▪ LCD



Connect Original FFC cable to sub-board.(LCD-OUT(BOTTOM))



4. Troubleshooting

Q. I can not switch A/V sources.

A. Check IR or Ground cable connection. Check LED lamps in the interface, if it is not on, check power cable.

Q. All I got on the screen is black.

A. Check second LED lamp of the interface is on, if not, check A/V sources connected are working well.

(Second lamp indicates AV sources connected works well.) Check interface connection has been done well.

Q. Rear camera image does NOT appear.

A. Set DIP switch #7 in "ON"

Q. Unwanted A/V mode is displayed. (A/V source switching order : OEM->RGB->AV1->AV2->AV3)

A. Check DIP Switch Setting.

Q. OEM image is not displayed.

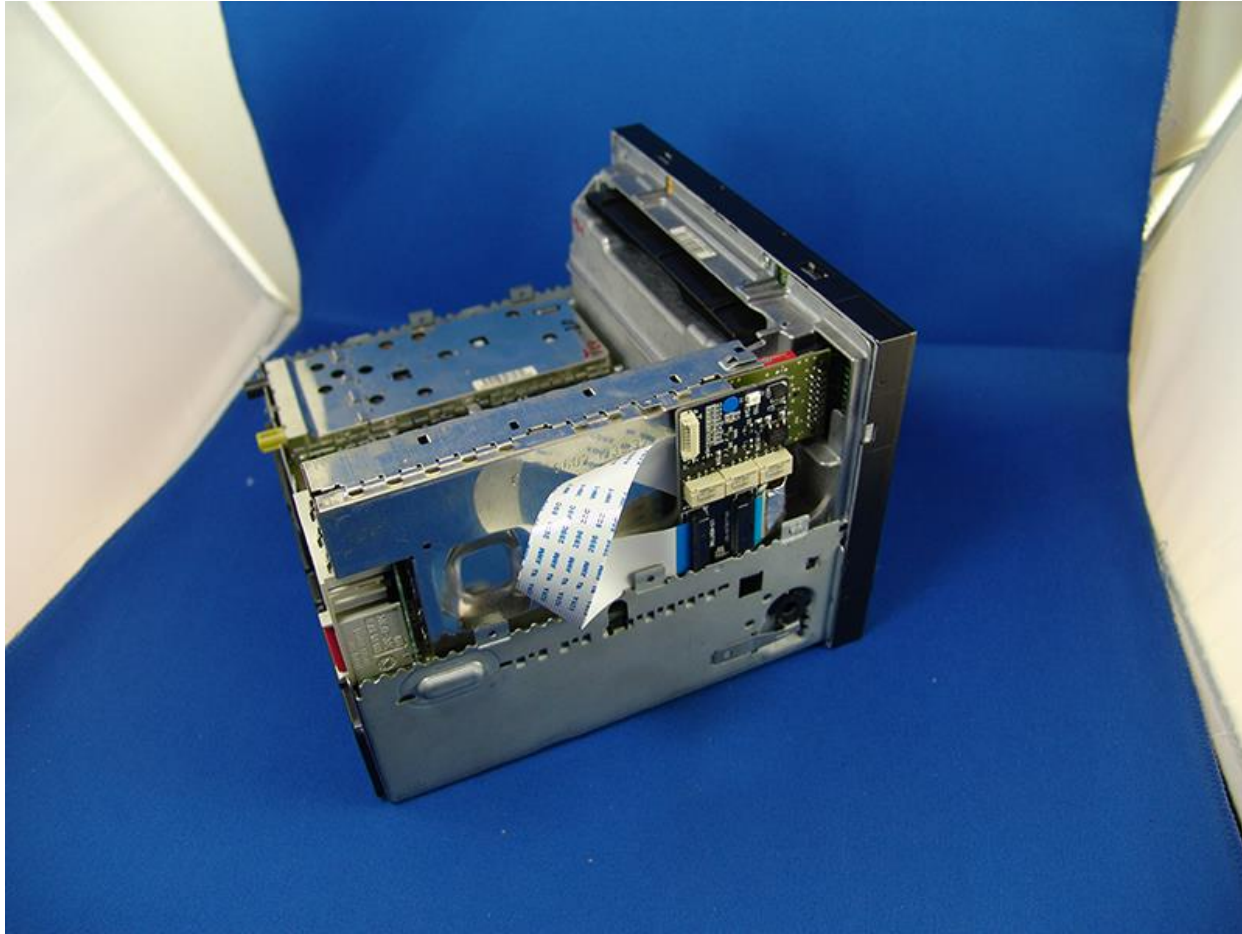
A. Check interface's LCD In/Out cable connection. If the status keeps on, inform the manufacturer.

Q. Screen only displays white like left picture.

A. Check LCD out cable is connected well, if this status keeps, inform the manufacturer.

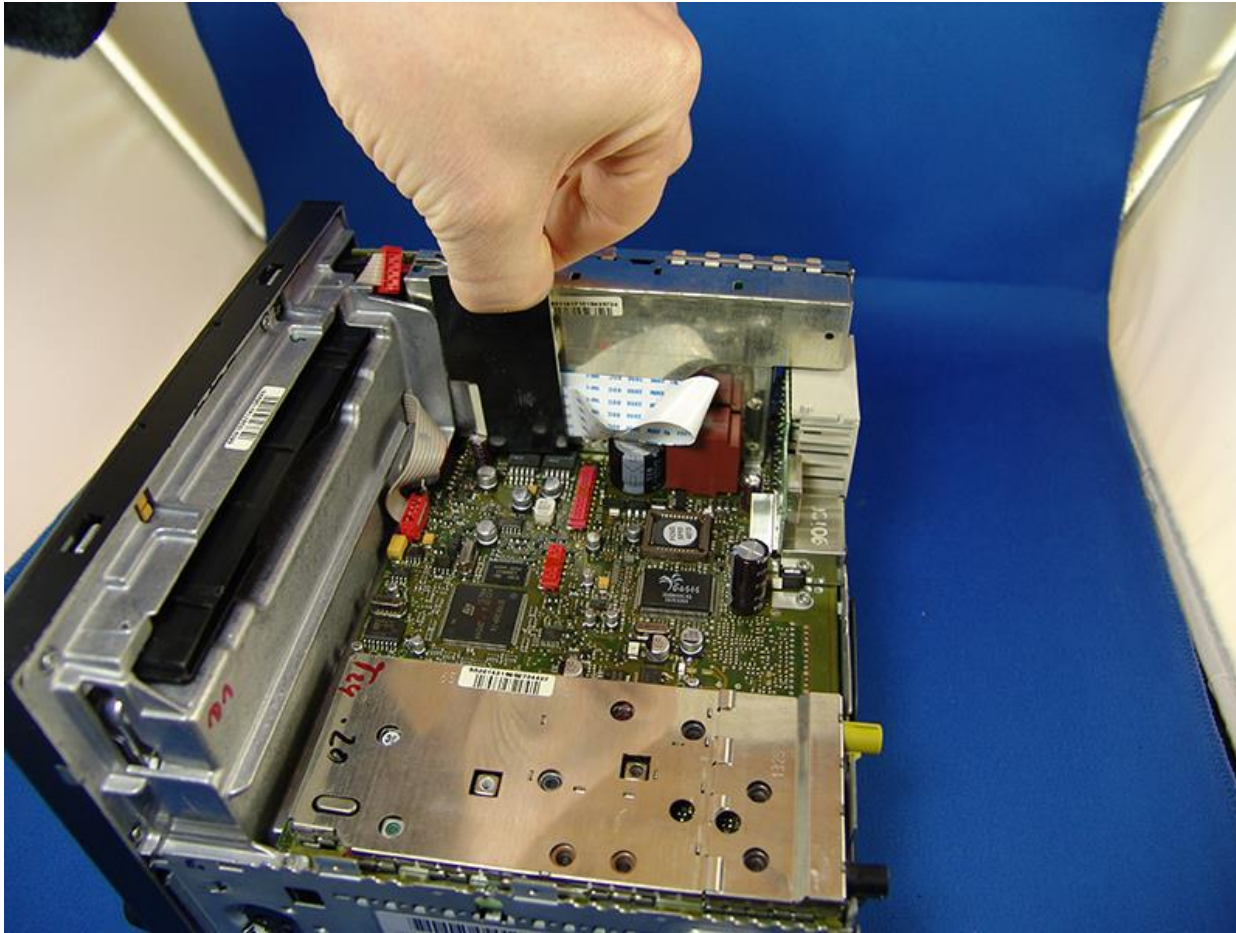
5. Photo series

- Position outside



5. Photo series

- Position inside (1)



5. Photo series

- Position inside (2)

