

Video-inserter

RL1-GVIF



examples

Compatible with
Buick, Chevrolet, Lexus, Opel und Toyota vehicles with
GVIF technology
and for **Land Rover and Jaguar** vehicles with
touch-screen navigation version 1 and 1.1

**Video-inserter for rear-view camera input
and two additional video sources**

Product features

- Video-inserter for factory-infotainment systems
- 2 CVBS video-inputs for after-market devices (e.g. DVD-Player, DVB-T tuner)
- FBAS Rear-view camera video-input
- Automatic switching to rear-view camera input on engagement of the reverse gear
- Video-in-motion in drive mode (ONLY for connected video-sources)
- Video inputs NTSC compatible

Contents

1. Prior to installation

- 1.1. Delivery contents
- 1.2. Checking the compatibility of vehicle and accessories
- 1.3. Connectors – video interface
- 1.4. Dip-switch settings
 - 1.4.1. Enabling the interface's video inputs (dip 2-3)
 - 1.4.2. Rear-view camera setting (dip 5)
 - 1.4.3. Monitor selection (dips 6-8)

2. Installation

- 2.1. Place of connection
- 2.2. Connection schema
- 2.3. Connection - 6pin interface cable
- 2.4. Connection – picture signal cable
 - 2.4.1. Special case 1: For Jaguar and Land Rover vehicles with touch-screen version 1
 - 2.4.2. Special case 2: For Lexus/Toyota vehicles– picture is blinking after installation
- 2.5. Connection - video sources
 - 2.5.1. After-market rear-view camera
 - 2.5.2. Audio-insertion
- 2.6. Connection – external keypad
- 2.7. Picture settings

3. Interface operation

4. Specifications

5. Frequently asked questions

6. Technical support

Legal Information

By law, watching moving pictures while driving is prohibited, the driver must not be distracted. We do not accept any liability for material damage or personal injury resulting, directly or indirectly, from installation or operation of this product. This product should only be used while standing or to display fixed menus or rear-view-camera video when the vehicle is moving, for example the MP3 menu for DVD upgrades.

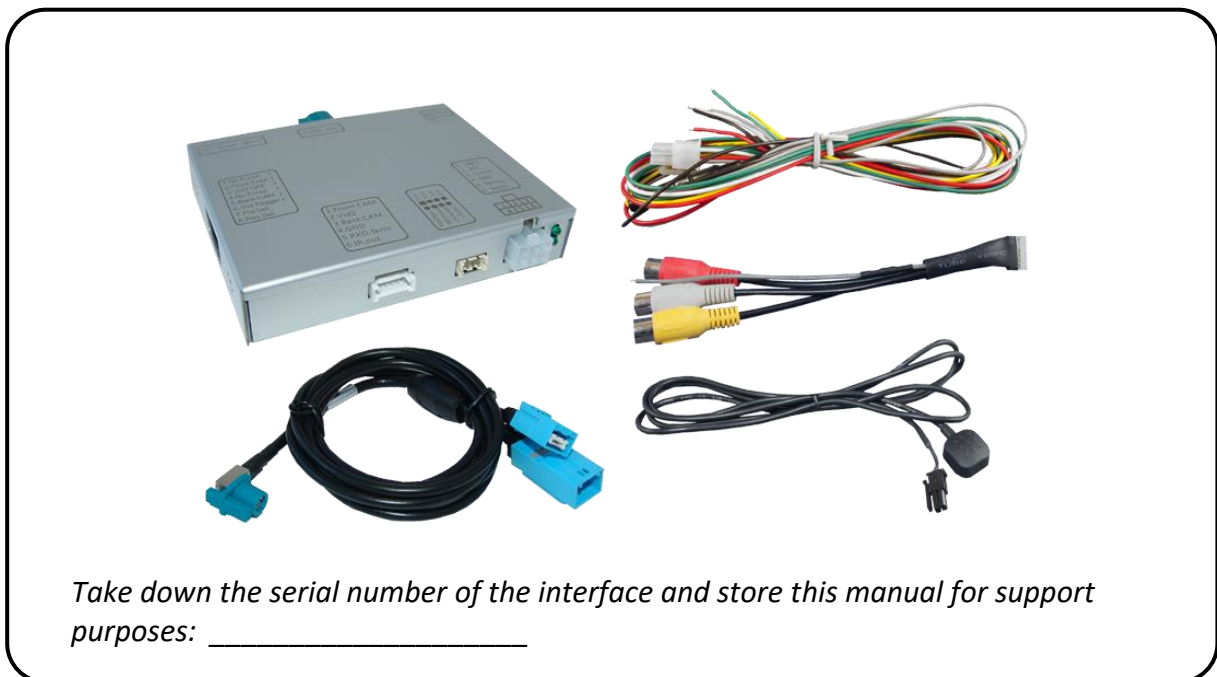
Changes/updates of the vehicle's software can cause malfunctions of the interface. We offer free software-updates for our interfaces for one year after purchase. To receive a free update, the interface must be sent in at own cost. Labor cost for and other expenses involved with the software-updates will not be refunded.

1. Prior to installation

Read the manual prior to installation.


Technical knowledge is necessary for installation. The place of installation must be free of moisture and away from heat sources.

1.1. Delivery contents



1.2. Checking the compatibility of vehicle and accessories

Compatibility

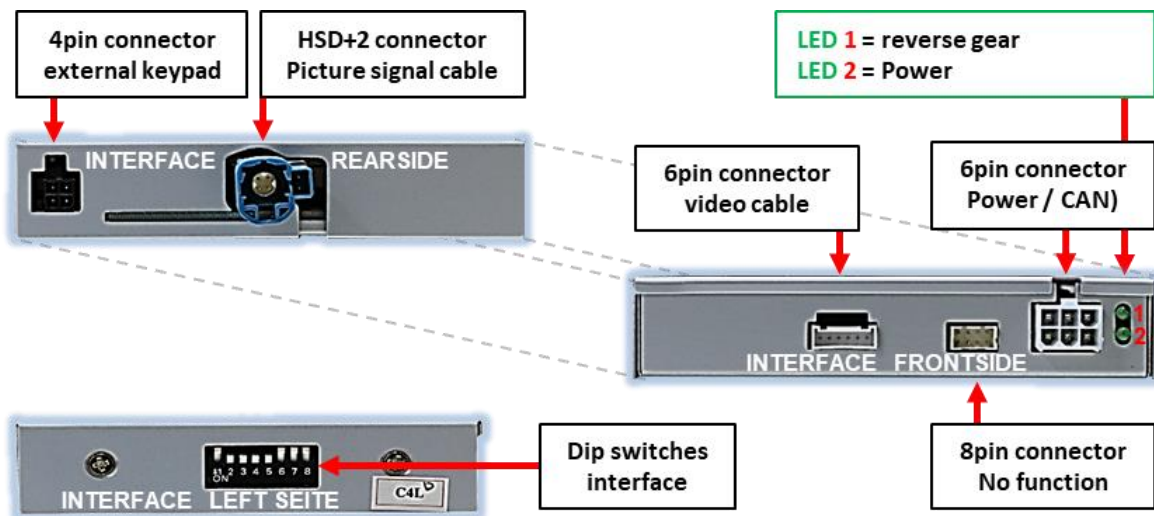
Brands	Compatible vehicles	Infotainment systems
Buick	LaCrosse, Regal	DVD800/CD500
Chevrolet	Camaro model years 2013-2014	MyLink – 7inch monitor with separate radio-box
	Cruz, Orlando	DVD900/DVD600
Jaguar	XF X250 model years 2007-2011, XK X150 model years 2007-2014	Touch-screen navigation version 1.1 <i>Only vehicles with navigation and touch-screen menu 2</i>
Land Rover	Range Rover (Vogue) L322 model years 2005-2009, Range Rover Sport L320 model years 2005-2009, Discovery 3 L319 model years 2004-2009	Touch-screen navigation version 1 <i>Only vehicles with navigation</i>
	Freelander 2 L359 model years 2007-2012	Touch-screen navigation version 1.1 <i>Only vehicles with navigation and touch-screen menu 2</i>
	 <p>Land Rover Touchscreen systems: version I version II version III</p>	
Lexus	LS/GS/RX/ES/IS/NX, monitor and head-unit must be separate units and connected with a GVIF cable!	System mit GVIF
Opel	Astra J, Insignia A, Meriva B and other vehicles until about model year 2011	DVD800/CD500
	Astra J (Sports Tourer and 5-door) model years until 2015, Astra J (sedan) model years until-2018, Cascada, GTC, Insignia A model years 2012-2013, Meriva B, Mokka A, Zafira C and other vehicles until about model year 2012	CD600 IntelliLink, DVD600, Navi650, DVD900, Navi950 IntelliLink
Toyota	Landcruiser, Prius and other vehicles from 2007 with GVIF-technology. Monitor and head-unit must be separate units and connected with a GVIF-cable.	System with GVIF

Limitations

<i>Video only</i>	The interface inserts ONLY video signals into the infotainment. For sound use the possibly existing factory-audio-AUX-input or a FM-modulator.
<i>Video insertion Jaguar/LR</i>	The inserted video can only be seen in map mode of the factory navigation (the automatically switching to an after-market rear-view camera, too).
<i>Jaguar/LR with Touch-screen version 1</i>	Blue GVIF connectors of vehicle and interface have to be cut, changed against each other and soldered.
<i>Factory rear-view camera</i>	Automatical switching-back from inserted video to factory rear-view camera only while reverse gear is engaged. To delay the switch-back time, additional electronics is required.
<i>Video input signal</i>	NTSC video sources compatible only.

1.3. Connectors – video interface

The video-interface converts the video signals of connected after-market sources in a factory monitor compatible picture signal which is inserted in the factory monitor, by using separate trigger options.



1.4. Dip-switch settings

Some settings must be selected by the dip-switches on the video-interface. Dip position down is ON and position up is OFF.



Dip	Function	ON (down)	OFF (up)
1	No function	-	set to OFF
2	CVBS AV1-input	enabled	disabled
3	CVBS AV2-input	enabled	disabled
4	No function	-	set to OFF
5	Rear-view cam type	after-market	factory or none
6	Monitor selection	Try all possible combinations of dip 6-8 to find the best picture (quality and size)	
7			
8			

After each Dip-switch-change a power-reset of the Can-box has to be performed!

See following chapters for detailed information.

1.4.1. Enabling the interface's video inputs (dip 2-3)

Only the enabled video inputs can be accessed when switching through the interface's video sources. It is recommended to enable only the required inputs for the disabled will be skipped when switching through the video-interfaces inputs.

1.4.2. Rear-view camera setting (dip 5)

If set to OFF, the interface switches to factory picture while the reverse gear is engaged to display factory rear-view camera.

If set to ON, the interface switches to its rear-view camera input „Camera-IN“ while the reverse gear is engaged.

1.4.3. Monitor selection (dips 6-8)

Dips 6-8 are for monitor-specific video settings which cannot be predicted as even within the same head-unit version, the monitor specifications may vary. It is necessary to try all possible combinations - while a working video source is connected to the chosen input of the interface - to see which combination gives the best picture quality and size (some may give no picture). It is possible to first hot plug through the dip combinations, but if you do not experience any change of picture after trying all options, retry and disconnected the 6pin power plug of the video-box between every change of the dip setting.

Note: Dip 1 und 4 are out of function and have to be set to **OFF**.

2. Installation

To install the interface, first switch off the ignition and disconnect the vehicle's battery. Please read the owner's manual of the car, regarding the battery's disconnection! If required, enable the car's Sleep-mode (hibernation mode) In case the sleep-mode does not succeed, the disconnection of the battery can be done with a resistor lead.

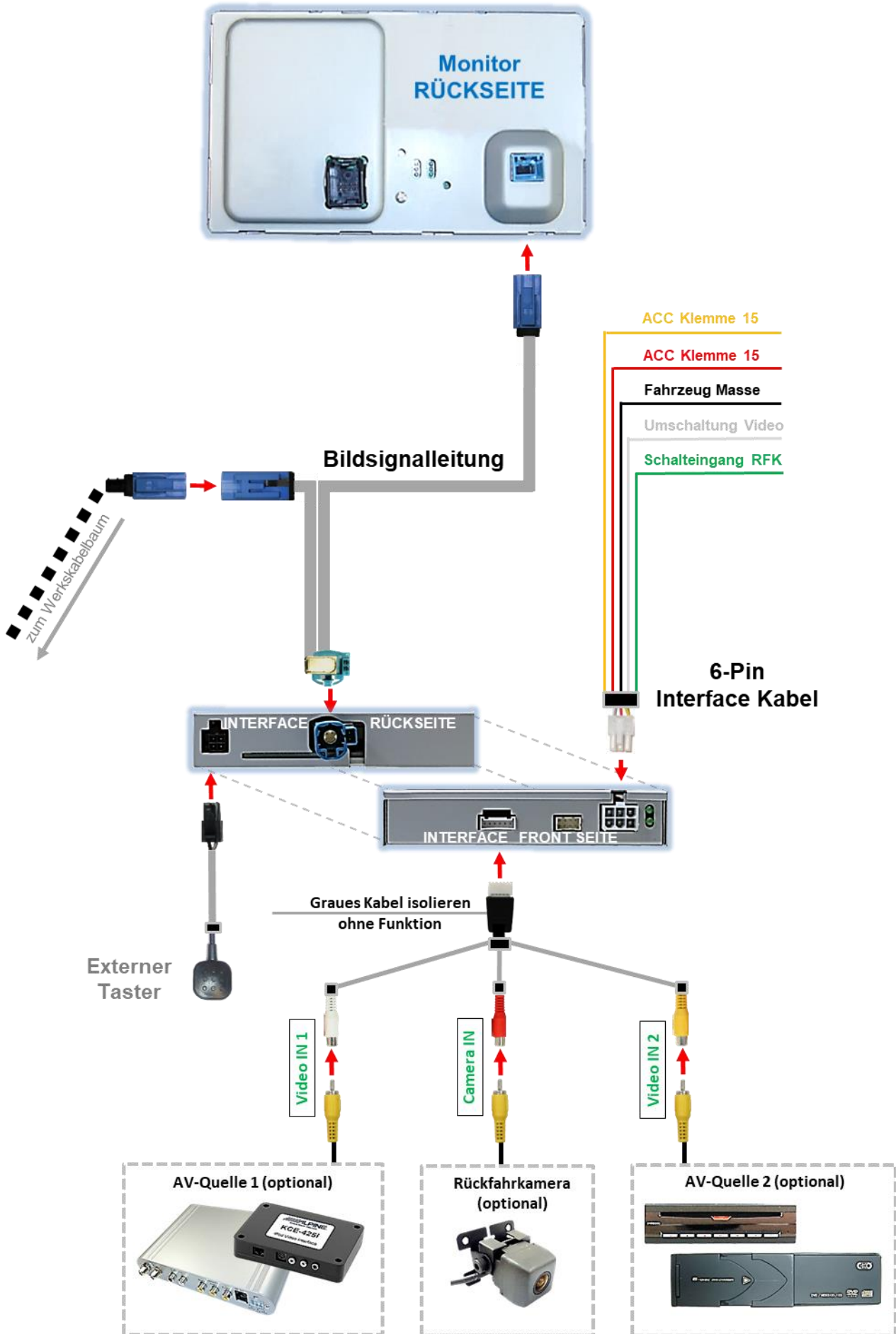
As with any installation of retrofit equipment, a stand-by test is necessary after the installation of the video interface, to ensure that the unit also switches off after reaching the vehicle's sleep mode.

Before the final installation, we recommend a test-run of the interface. Due to changes in the production of the vehicle manufacturer, there's always the possibility of incompatibility.

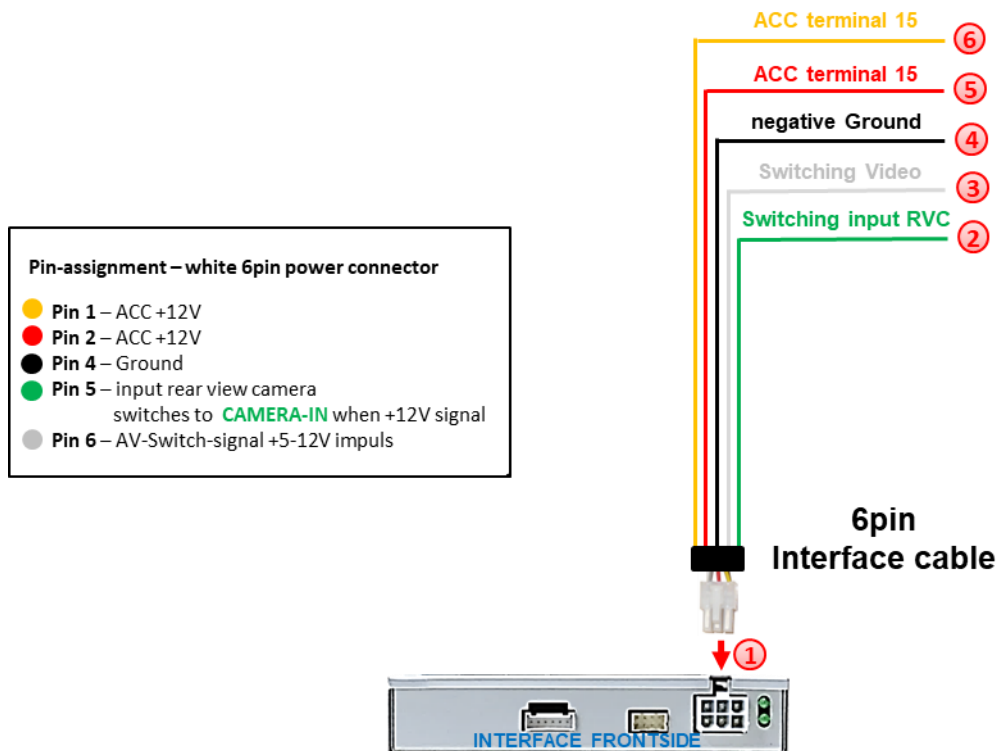
2.1. Place of connection

The interface has to be connected at the rear-side of the factory monitor.

2.2. Connection schema



2.3. Connection - 6pin interface cable

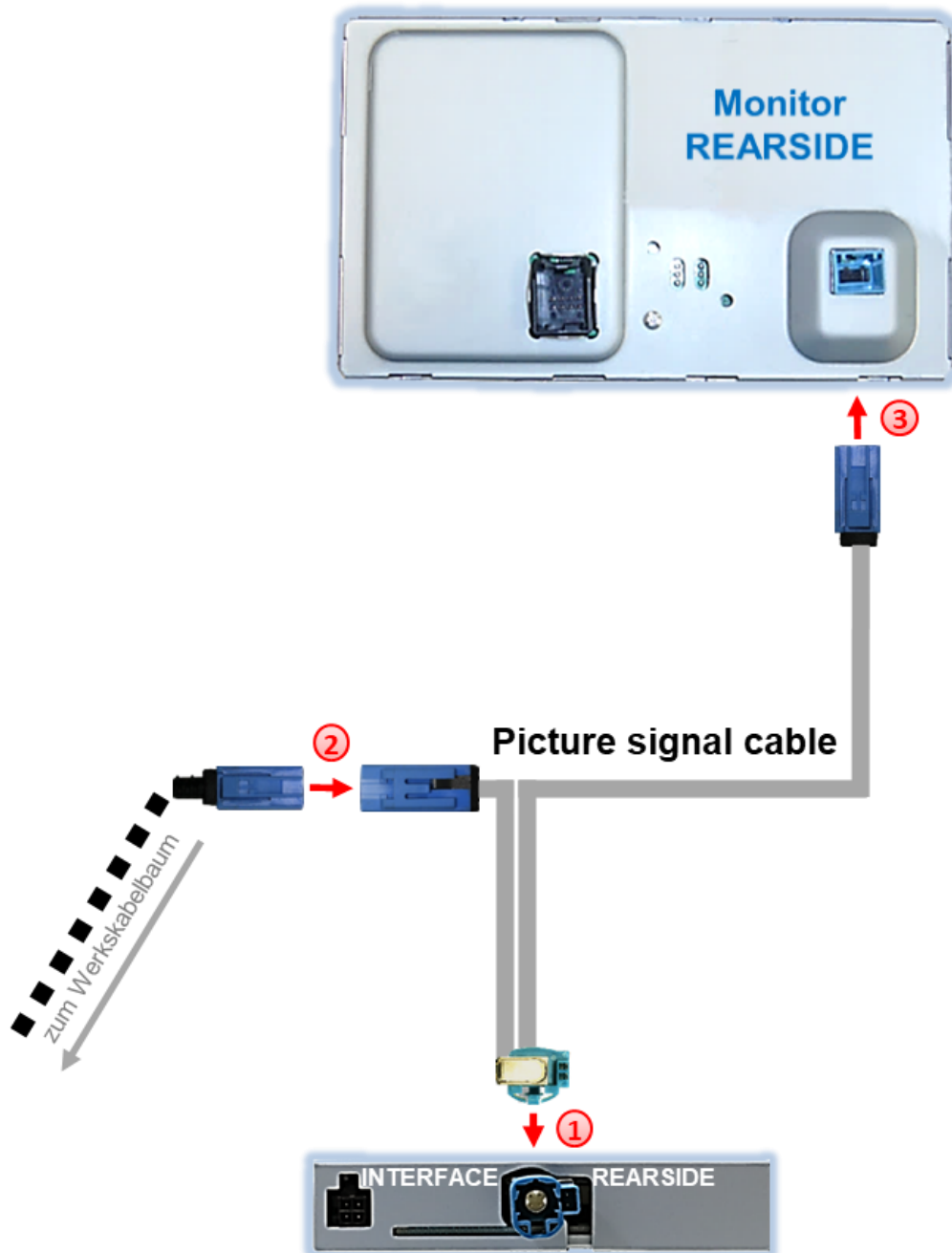


- 1 Connect the white female 6pin connector of the 6pin interface cable to the male 6pin connector of the video interface.
- 2 Connect the green wire of the 6pin interface cable to +12V of the reverse gear signal. (e.g. reversing light).
- 3 If desired, the white wire of the 6pin interface cable can be used alternatively to the external button to switch the video sources (12V pulse for 2-3 seconds).
- 4 Connect the black wire of the 6pin interface cable to vehicle ground.
- 5 Connect the red wire of the 6pin interface cable to +12V ACC terminal 15.
- 6 Connect the yellow wire of the 6pin interface cable to +12V ACC terminal 15.

Note: The connection of the green wire (Reverse signal) will be described in chapter “After-market rear-view camera”. The white wire, can be used by +12V impulse to switch the enabled video sources, same as the keypad (see chapter “video interface-operation”).

2.4. Connection – picture signal cable

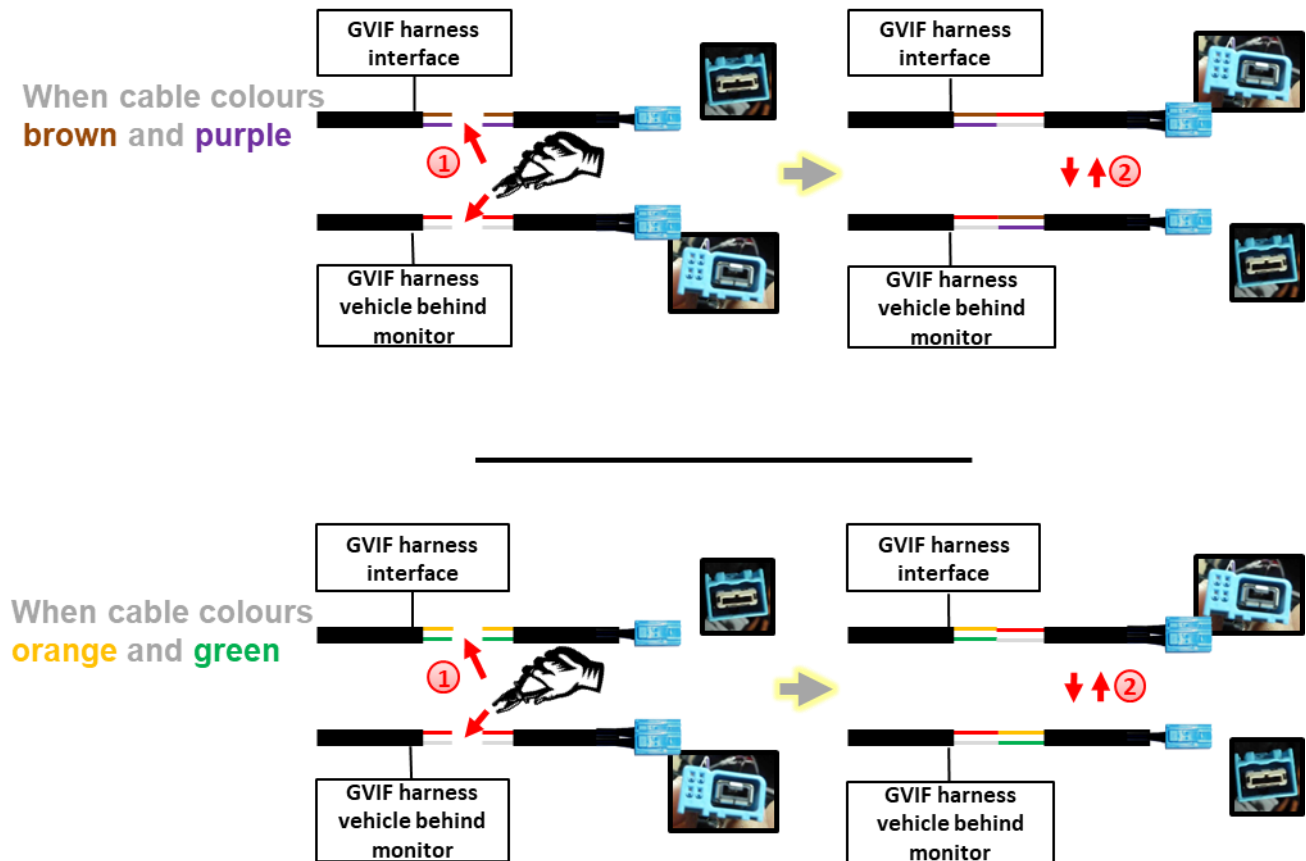
Remove factory monitor.



- 1 Connect female HSD+2pin connector of the picture signal cable to the male HSD+2pin connector on the rear-side of the interface.
- 2 Remove the female GVI connector from the rear-side of the factory monitor and connect it to the male GVI connector of the picture signal cable.
- 3 Connect female GVI connector of the picture signal cable to the male GVI connector of the factory monitor.

2.4.1. Special case 1: For Jaguar and Land Rover vehicles with touch-screen version-1

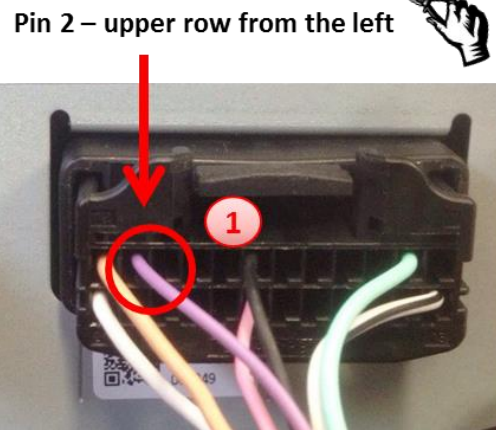
In vehicles with touch screen version-1, the female blue GVIF connectors of the vehicle harness and the female blue GVIF connector of the picture signal cable have to be cut, changed against each other and soldered.



- 1 Cut both female GVIF connectors of the vehicle harness and the picture signal cable with leaving enough cable on it.
- 2 Depending on the cable colours of the GVIF interface cable, solder the female GVIF connector of the vehicle harness to the picture signal cable and the GVIF connector of the picture signal cable to the vehicle harness like shown in the diagram above.

2.4.2. Special case 2: For Lexus/Toyota vehicles – picture is blinking after the installation

In some vehicles (Lexus/Toyota) the picture is blinking after the installation. In this case the cable at the power connector of the factory monitor needs to be cut like in the picture below.



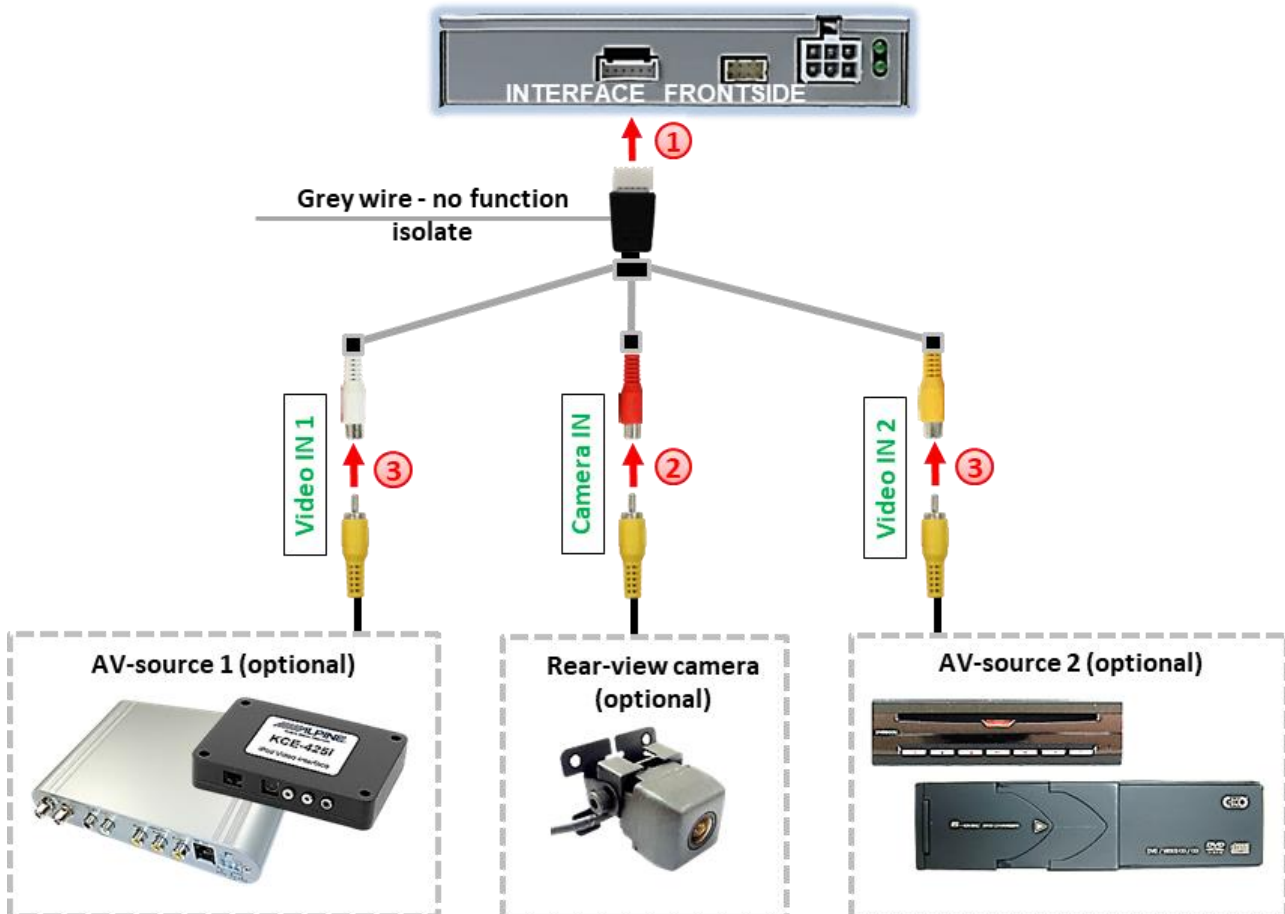
- 1 Cut the cable at pin 2 of the upper row from the left side and isolate both ends.

Note: Cable colour of pin 2 may vary.

2.5. Connection - video sources

It is possible to connect one after-market rear-view camera and two more AV sources to the video-interface.

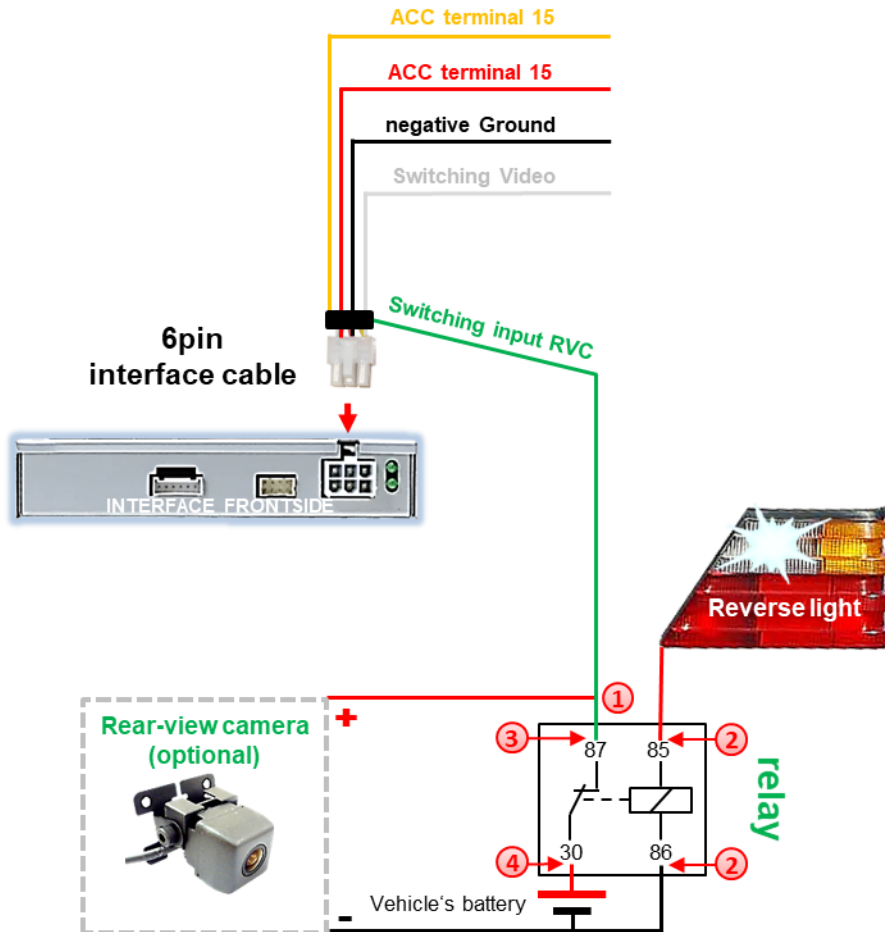
Note: Before the final installation, we recommend a test-run to ensure the compatibility of the vehicle and the interface. Due to changes in the production of the vehicle manufacturer there's always a possibility of incompatibility.



- 1 Connect the female 6pin connector of the video cable to the male 6pin connector of the video-interface.
- 2 Connect the video RCA connector of the rear-view camera to the female RCA connector **“Camera-IN”** of the video cable.
(see also **“After-market rear-view camera”**).
- 3 Connect the video RCA connectors of additional AV sources to the female RCA connectors **„Video IN 1”** and **“Video IN 2”**.

2.5.1. After-market rear-view camera

For activating the rear-view camera when reverse gear is engaged, an external switching signal from the reverse gear light is required. As the reverse gear light's power supply isn't voltage-stable all the time, an ordinary open relay (e.g AC-RW-1230 with wiring AC-RS5) or filter (e.g. AC-PNF-RVC) is required. The diagram below shows the connection type of the relay.



- ① Connect the green **switching input cable** to the output connector (87) of the relay.
- ② Connect the Reverse light's power-cable to coil (85) and the vehicle's ground to coil (86) of the relay.
- ③ Connect the output connector (87) of the relay to the rear-view camera's power-cable, like you did it to the green **switching input cable** before.
- ④ Connect stabile and permanent +12V to the relay's input connector (30).

Note: Don't forget to set the Dip 5 to ON.

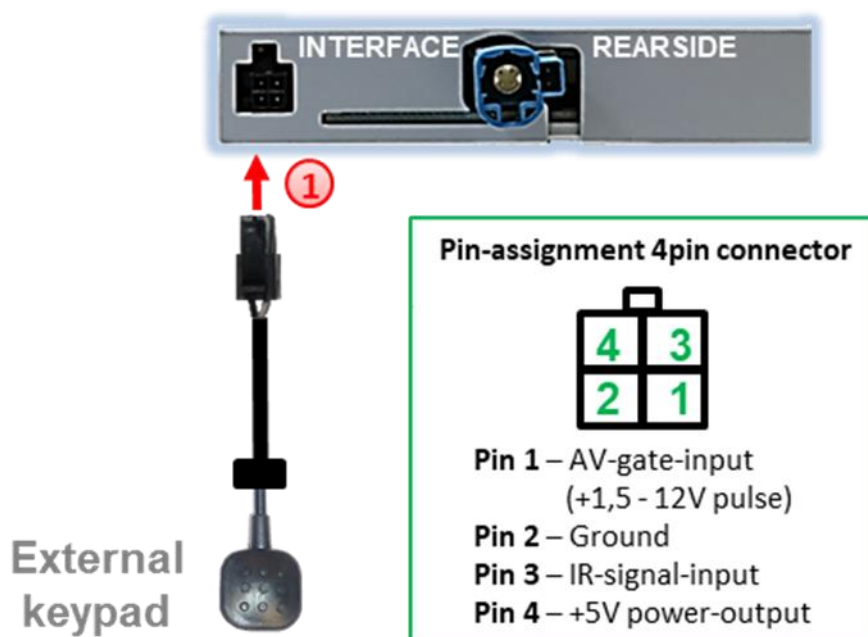
In Jaguar and Land Rover vehicles the automatic switching to an after-market rear-view camera is only possible in navigation mode.

2.5.2. Audio Insertion

This interface can only insert video signals into the factory infotainment. If an AV-source is connected, audio insertion must be done by factory audio AUX input or FM-modulator. The inserted video-signal can be activated simultaneously to each audio-mode of the factory infotainment.

If 2 AV sources shall be connected to the infotainment, additional electronic is necessary to switch the audio signals.

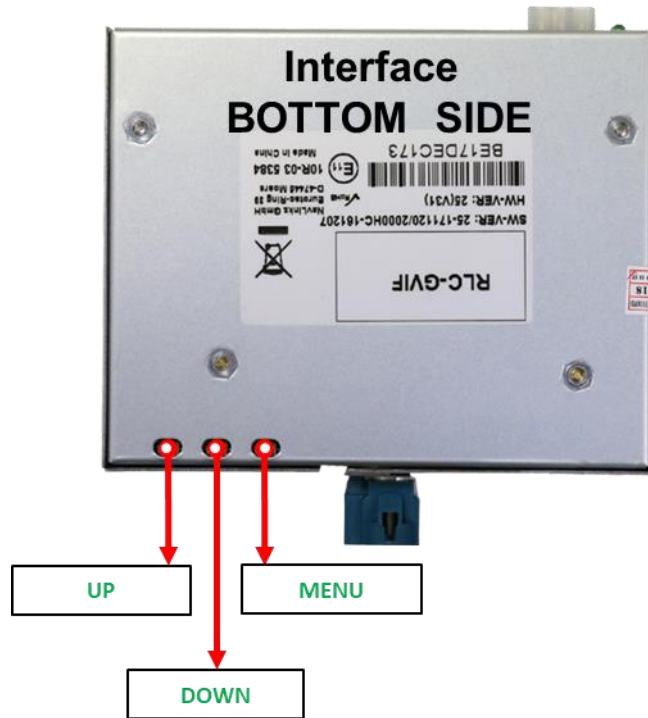
2.6. Connection Video Interface and external keypad



- 1 Connect the 4pin female connector of the external keypad to the male 4pin connector of the video interface.

Note: Regardless if it'll be used or not, the external keypad should always be connected! In case of non-using, it should be invisibly hidden together with the video interface.

2.7. Picture settings

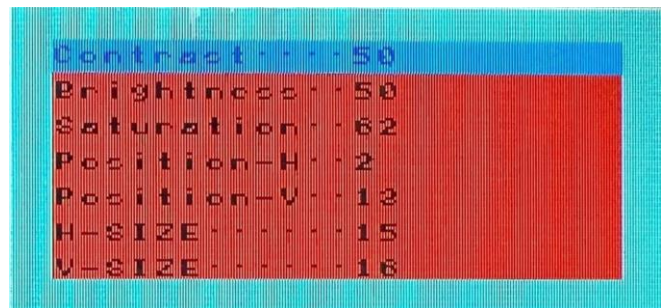


The picture settings are adjusted by the 3 buttons on the video-interface. Press the MENU button to open the OSD settings menu or to switch to the next menu item. Press UP and DOWN change the selected value. The buttons are embedded in the housing to avoid accidental changes during or after installation. Picture settings have to be done separately for AV1 and for AV2 while the corresponding input is selected and visible on the monitor. AV2 and CAM share the same settings which must be adjusted in AV2.

Note: The OSD menu is only shown when a working video source is connected to the selected video-input of the interface.

The following settings are available:

- Brightness
- Contrast
- Saturation
- Position H (horizontal picture position)
- Position V (vertical picture position)
- H-SIZE (horizontal picture size)
- V-SIZE (vertical picture size)



3. Interface operation

Press the interface's external keypad to switch the video source. Each repetition will switch to the next enabled input. If all inputs are enabled the order is:

Factory video → video IN1 → video IN2 → factory video →

Disabled inputs will be skipped.

Alternatively the white wire of the 6pin cable can be used with a +5-12V pulse to switch the video-sources.

Note: Even if the switching through several video sources by the keypad mightn't be required, the keypad's invisible connection and availability is strongly recommended.

4. Specifications

BATT/ACC range	7V - 25V
Stand-by power drain	45mA
Power consumption	180mA
Video input	0.7V - 1V
Video input formats	NTSC
Temperature range	-40°C to +85°C
Dimensions video-box	113 x 25 x 107 mm (W x H x D)

5. FAQ – Trouble shooting Interface functions

For any troubles which may occur, check the following table for a solution before requesting support from your vendor.

Symptom	Reason	Possible solution
No picture/black picture (factory picture).	Not all connectors have been reconnected to factory head-unit or monitor after installation.	Connect missing connectors.
	No power on CAN-bus box (all LED CAN-bus box are off).	Check power supply of CAN-bus box. Check CAN-bus connection of CAN-bus box.
	CAN-bus box connected to CAN-bus in wrong place.	Refer to the manual where to connected to the CAN-bus. If not mentioned, try another place to connect to the CAN-bus.
	No power on video-interface (all LED video-interface are off).	Check whether CAN-bus box delivers +12V ACC on red wire output of 8pin to 6pin cable. If not cut wire and supply ACC +12V directly to video-interface.
No picture/black picture/white picture (inserted picture) but factory picture is OK.	No picture from video source.	Check on other monitor whether video source is OK.
	No video-source connected to the selected interface input.	Check settings dips 1 to 3 of video interface which inputs are activated and switch to corresponding input(s).
	LVDS cables plugged in wrong place.	Double-check whether order of LVDS cables is exactly connected according to manual. Plugging into head-unit does not work when the manual says to plug into monitor and vice versa.
Inserted picture totally wrong size or position.	Wrong monitor settings of video-interface.	Try different combinations of dips 7 and 8 of video-interface. Unplug 6pin power after each change.
Inserted picture double or 4 times on monitor.		
Inserted picture distorted, flickering or running vertically.	Video sources output set to AUTO or MULTI which causes a conflict with the interfaces auto detection.	Set video source output fixed to PAL or NTSC. It is best to set all video sources to the same standard.
	If error occurs only after source switching: Connected sources are not set to the same TV standard.	Set all video sources to the same standard.
	Some interfaces can only handle NTSC input.	Check manual whether there is a limitation to NTSC mentioned. If yes, set source fixed to NTSC output.
Inserted picture b/w.	Picture settings have not been adjusted.	Use the 3 buttons and the interface's OSD to adjust the picture settings for the corresponding video input.
Inserted picture qual. bad.		
Inserted picture size slightly wrong.		
Inserted picture position wrong.		
Camera input picture flickers.	Camera is being tested under fluorescent light which shines directly into the camera.	Test camera under natural light outside the garage.
Camera input picture is bluish.	Protection sticker not removed from camera lens.	Remove protection sticker from lens.


Symptom	Reason	Possible solution
Camera input picture black.	Camera power taken directly from reverse gear lamp.	Use relay or electronics to "clean" reverse gear lamp power. Alternatively, if CAN-bus box is compatible with the vehicle, camera power can be taken from green wire of 6pin to 8pin cable.
Camera input picture has distortion.		
Camera input picture settings cannot be adjusted.	Camera input picture settings can only be adjusted in AV2 mode.	Set dip 3 of video-interface to ON (if not input AV2 is not already activated) and connect the camera to AV2. Switch to AV2 and adjust settings. Reconnect camera to camera input and deactivate AV2 if not used for other source.
Graphics of a car in camera input picture.	Function PDC is ON in the interface OSD.	In compatible vehicles, the graphics will display the factory PDC distance. If not working or not wanted, set interface OSD menu item UI-CNTRL to ALLOFF.
Chinese signs in camera input picture	Function RET or ALL is ON (function for Asian market) in the interface OSD.	Set interface OSD menu item UI-CNTRL to ALLOFF or PDCON.
Not possible to switch video sources by OEM button.	CAN-bus interface does not support this function for vehicle.	Use external keypad or cut white wire of 6pin to 8pin cable and apply +12V impulses for AV-switching.
Not possible to switch video sources by external keypad.	Pressed too short.	For video source switching a longer press of about 2.5 seconds is required.
	SW-version of interface does not support external keypad.	Use OEM-button or cut white wire of 6pin to 8pin cable and apply +12V impulses for AV-switching.
Interface does not switch to camera input when reverse gear is engaged.	CAN-bus interface does not support this function for the vehicles.	Cut the green wire of the 6pin to 8pin cable and apply +12V constant from reverse gear-lamp signal. Use relay to "clean" R-gear lamp power.
Interface switches video-sources by itself.	CAN-bus interface compatibility to vehicle is limited.	Cut the grey wire of 6pin to 8pin and isolate both ends. If problem still occurs, additionally cut the white wire of 6pin to 8pin cable and isolate both ends.

6. Technical Support

Please note that direct technical support is only available for products purchased directly from NavLinkz GmbH. For products bought from other sources, contact your vendor for technical support.

NavLinkz GmbH
distribution/tech dealer-support
 Heidberghof 2
 D-47495 Rheinberg

Tel +49 2843 17595 00
 Email mail@navlinkz.de

 10R-03 5384

Made in China

