

Concept450
installation guide



© 2004 Directed Electronics, Inc. Vista, CA N909600 08-04

***IMPORTANT!** Please note that this manual was intended for US consumers and therefore includes American phrases or words.*

Bitwriter™, Code Hopping™, DEI®, Directed®, Doubleguard®, ESP™, FailSafe®, Ghost Switch™, Learn Routine™, Nite-Lite®, Nuisance Prevention Circuitry®, NPC®, Revenger®, Silent Mode™, Soft Chirp®, Stinger®, Valet®, Vehicle Recovery System®, VRS®, and Warn Away® are all Trademarks or Registered Trademarks of Directed Electronics, Inc., Vista, California.

contents

transmitter functions	2
standard configuration	2
primary harness wire	
connection guide	3
primary harness wiring diagram .3	
primary harness wiring guide . . .4	
secondary harness wire	
connection guide	7
secondary harness wiring	
diagram	7
secondary harness wiring guide .7	
immobilizer harness wire	
connection guide	8
immobilizer harness wiring8	
ultrasecure immobilizer8	
immobilizer jumper setting8	
door lock harness wire connection	
guide	9
type A: positive (+) 12-volt	
pulse	10
type B: negative (-) pulse11	
type C: reversing polarity12	
type D: after-market actuators .13	
type E: mercedes-benz and audi	
(1985 & newer)	14
type F: one-wire system15	
type G: positive (+) multiplex . .16	
type H: negative (-) multiplex . .17	
peripheral plug-in harnesses . . .18	
super bright blue led, 2-pin white	
plug	18
plain-view valet	18
sensor harness, 4-pin	
connector	18
mounting the receiver/antenna	
.	19
arming/disarming diagnostics . . .20	
arming	20
disarming	20
system status chirps	21
remote siren silencing	21
multiple event total recall21	
system features programming . . .22	
cliffnet wizard pro installation	
software programming	22
manual programming	
instructions	23
user selectable features24	
user selectable features descrip-	
tions - column one	24
user selectable features descrip-	
tions - column two	25
user selectable features descrip-	
tions - column three	26
installer selectable features . . .28	
installer selectable features	
descriptions - column one29	
installer selectable features	
descriptions - column two29	
installer selectable features	
descriptions - column three . . .31	
programming notes	32
fact II - false alarm control	
technology	34
smart power up II	35
remote control sensor disable . . .35	
mux sensors	35
audio sensor	35
shock sensor	36
auto-immobilization feature . . .36	
auto-immobilization sequence .36	
one-time valet feature37	
second unlock feature37	
troubleshooting	38
wiring reference guide	39
notes	43

transmitter functions

This system uses computer-based code learning to learn the transmitter buttons. This makes it possible to assign any transmitter button to any system function. The transmitter initially comes programmed with standard configuration, but may also be customized by an authorized dealer. The buttons in all of the instructions in this manual correspond to a standard configuration transmitter.

standard configuration

 Button

The arming, disarming, and panic function are controlled by this button.

 Button

The trunk release or accessory output A is controlled by this button.

 Button

Accessory output B is controlled by this button.

 Button

Remote start is controlled by this button (requires Intellistart).

 and  Buttons

These buttons activate SmartWindows.

 and  Buttons

These buttons activate remote valet.

 and  Buttons

These buttons disable the sensors.

 and  Buttons

These buttons enter safe start mode for manual transmission vehicles and activate Autostart mode.

primary harness wire connection guide

primary harness wiring diagram

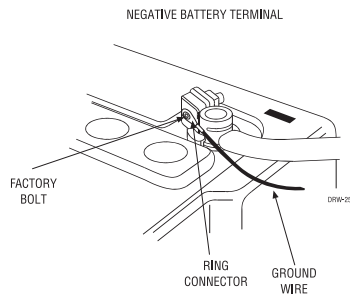
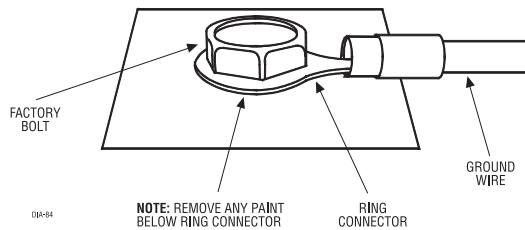
H1/1	BLACK	Ground
H1/2	BROWN	Speaker Output 1
H1/3	GRAY	(-) Hood Trigger Input Zone 6
H1/4	EMPTY	Not Used
H1/5	GREEN/WHITE	(-) Normally Closed - Zone 6
H1/6	WHITE/BLUE	(-) Accessory B Output (200mA)
H1/7	BLUE	(-) Trunk Trigger Input - Zone 5
H1/8	VIOLET	(+) Door Trigger Input - Zone 4
H1/9	GREEN	(-) Door Trigger Input - Zone 4
H1/10	RED	(+) 12V Constant
H1/11	BROWN	Speaker Output 2
H1/12	WHITE/RED	Light Flash Input
H1/13	WHITE	Light Flash Output
H1/14	WHITE	Light Flash Output
H1/15	BLACK/WHITE	Dome Light Supervision Output 30
H1/16	RED/WHITE	(-) Accessory Output A (200mA)
H1/17	ORANGE	Ground When Armed (500mA)
H1/18	EMPTY	Not Used

primary harness wiring guide

This guide describes in detail the connection of each wire. Also included are possible applications of each wire. This system was designed with the ultimate in flexibility and security in mind. Many of the wires have more than one possible function. Please read the instructions carefully to ensure a thorough understanding of this unit and how it operates.

h1/1 black ground

Connect the **BLACK** wire to a clean, paint-free sheet metal location (driver's kick panel) using a factory bolt that does **NOT** have any vehicle component grounds attached to it. A screw should only be used in conjunction with a two-sided lock washer. Under dash brackets and door sheet metal are not acceptable ground points. It is recommended that all security components be grounded at the same location.



h1/2 and h1/11 brown speaker outputs

Connect the **BROWN** output wires to the **BROWN** wires of the 518C.

h1/3 gray (-) hood input zone 6

Connect this wire to the hood pin. If the hood is open when the alarm is armed, this wire will trigger the siren.

h1/5 green/white (-) normally closed zone 6

This wire will trigger the alarm if it loses its normally closed ground. Remove this wire from the ground wire and attach it to a normally grounded item you wish to protect such as the back of your stereo.

h1/6 white/blue (-) accessory b output (200mA)

This wire produces a 200mA output when activated by the remote control and can be used to operate a variety of accessories. All accessory outputs can be programmed to different types of outputs. Please see Programming Note #6.

h1/7 blue (-) trunk trigger input - zone 5

This input will respond to a negative input with an instant trigger. Connect to (-) trunk pins and it will report on Zone 5. It can also be used with Directed single-stage sensors.

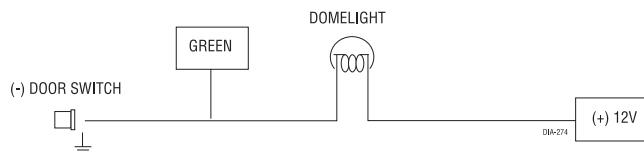
h1/8 violet (+) door trigger input - zone 4

Connect the violet wire to a wire that shows (+)12V when any door is opened. This wire will report Zone 4.

h1/9 green (-) door trigger input - zone 4

Most vehicles use negative door trigger circuits. Connect the GREEN wire to a wire showing ground when any door is opened. When connecting to newer model vehicles there is generally a need to use individual door triggers. This wire will report Zone 4.

NOTE: If using a door trigger wire that has a delay, the installer-selectable programming grid or the Cliffnet Wizard can be used to turn the door ajar warning off.



h1/10 red (+) 12v constant

Before connecting the RED wire, remove the supplied fuse. Connect to the battery positive terminal (be sure to use the supplied fuse holder and a 5 amp fuse) or the constant (+) 12V supply to the vehicle fusebox.

h1/12 white/red light flash input

This wire is the input for the on-board dual light flash relay. If the vehicle has positive parking light activation wires, connect this wire to a constant (+) 12V source that is fused at 15A or higher (be sure to use the supplied fuse holder and a 15 amp fuse). If the vehicle parking light activation wire is negative, connect this wire to a chassis ground location.

h1/13 and h1/14 white parking light output

These wires are the output of an on-board dual make relay and should be connected to wires in the vehicle that control the parking light wire polarity. The dual outputs are designed for European vehicles with isolated parking light systems. If the vehicle's parking lights are controlled by a single wire, connect both WHITE wires to it.

***IMPORTANT!** The polarity of this wire is determined by the connection of the H1/12 light flash input wire. Always confirm light flash polarity before connecting H1/12 or damage to the vehicle lighting system could occur.*

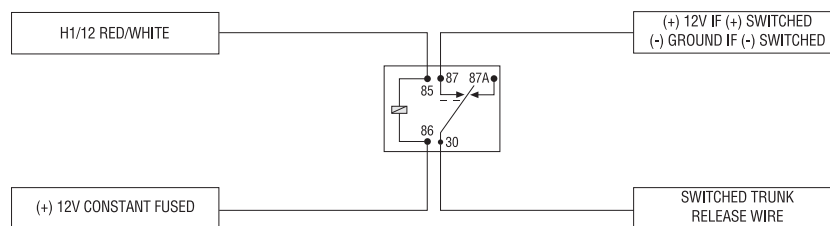
h1/15 black/white dome light supervision output

Connect the H1/15 BLACK/WHITE wire to the vehicle domelight circuit trigger wire.

h1/16 red/white accessory a output

When the system receives the code controlling the accessory output, this wire will supply an output as long as the transmission continues. This is often used to operate a trunk/hatch release or other relay-driven function. All accessory outputs can be programmed to different types of outputs. Please see Programming Note #6.

***IMPORTANT!** Never use this wire to drive anything but a relay or a low-current input! The transistorized output can only supply 200 mA of current. Connecting directly to a solenoid, motor, or other high-current device will cause it to fail.*



h1/17 orange ground when armed

This wire provides a (-) ground output as long as the system is armed and will cease when the system is disarmed. This output can be used for an additional immobilizer relay or to control additional accessories such as window automation, voice modules, or pagers.

secondary harness wire connection guide

secondary harness wiring diagram

H2/1	YELLOW/WHITE	(-) Horn Honk Output (200 mA)
H2/2	EMPTY	Not Used
H2/3	BLACK/WHITE	Domelight Supervision Input (87)
H2/4	BLUE/WHITE	Second Unlock Output (200 mA)
H2/5	EMPTY	Not Used
H2/6	EMPTY	Not Used

secondary harness wiring guide

NOTE: For further description of the H2/1 to H2/6 wires, please refer to the Door Lock Harness Wire Connection Guide section.

h2/1 yellow/white (-) horn honk output (200mA)

This wire is a low current output (200mA) for the horn to sound when the system has been violated.

h2/3 black/white domelight supervision input (87)

This wire determines the output of the BLACK/WHITE H1/15 wire on the main 18-pin harness. If the vehicle has a negative domelight circuit, ground this wire; if the vehicle has a positive domelight circuit, attach this wire to a 12 volt constant source.

h2/4 blue/white second unlock output (200mA)

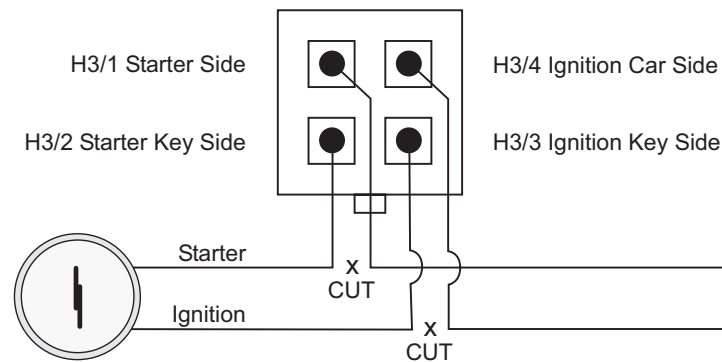
This wire produces a (-) 200mA output for progressive locks in which the driver door unlocks first and the remaining locks unlock with a second press of the unlock button.

immobilizer harness wire connection guide

immobilizer harness wiring

Locate the ignition and starter wires using a multimeter. Cut the appropriate wire and attach the key side and car side wires to the corresponding wires on the four-pin immobilizer harness.

NOTE: The diagram below shows the module side of the connector (looking into the female pins).



ultrasecure immobilizer

The UltraSecure immobilizer circuit in this G5 system is a unique new design that incorporates the immobilizer security of Clifford without the possibility of failure due to power loss that could potentially strand the user. The level of security can be set by leaving in or removing the jumper located next to the immobilizer wires exiting the module.

immobilizer jumper setting

jumper in setting

When the jumper is in, the ignition and starter signal will bypass the UltraSecure immobilizer circuitry and allow the vehicle start and run, even if power has not been restored to the module.

jumper out setting

When the jumper is out, the UltraSecure immobilizer circuitry prevents the ignition and starter signal from passing and keeps the vehicle immobilized until power has

been restored to the module.

NOTE: In order for the system to bypass the immobilizer with the jumper in place, the unit must have ground on the 18-pin harness.

door lock harness wire connection guide

H3/1	GREEN	(-) Lock, (+) Unlock Output
H3/2	EMPTY	(+) 12V Protected, Low Current for 451M
H3/3	BLUE	(-) Unlock, (+) Lock Output

***IMPORTANT!** The door lock outputs are low current and should not be attached directly to any high-current device; they are only to be used to activate relays*

type A: positive (+) 12-volt pulse

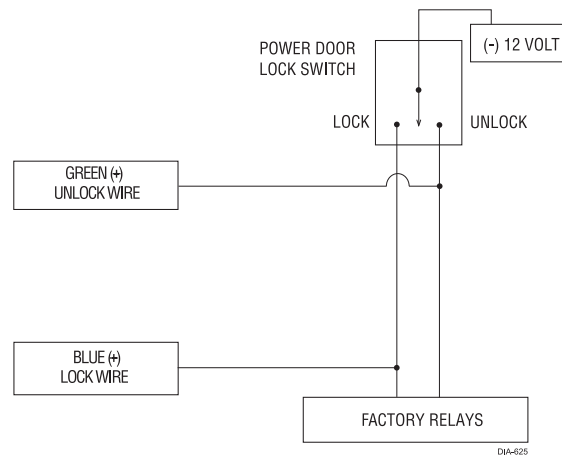
The system can control Type A door locks directly, with no additional parts. The switch will have three wires on it; one will test (+)12 volt constantly. The others will alternately pulse (+)12 volt when the switch is pressed to the lock or unlock position.

If you cannot get to the switch, and you find a set of wires that pulse (+)12 volt alternately on lock and unlock, make sure that it is not a Type C direct-wire system.

Cut the wire that pulses (+)12 volt on lock, and then operate the switch to unlock.

- If all doors unlock, the vehicle uses type A system.
- If you lose all door lock operation in both directions, you are operating the master switch in a Type C system.
- If you lose all door lock operation of one or more, but not all motors, and other doors still work, you have cut a wire leading directly to one or more motors. You must instead find the actual wires leading to the switch.

***IMPORTANT!** Remember that these wires' functions reverse between Type A and Type B.*

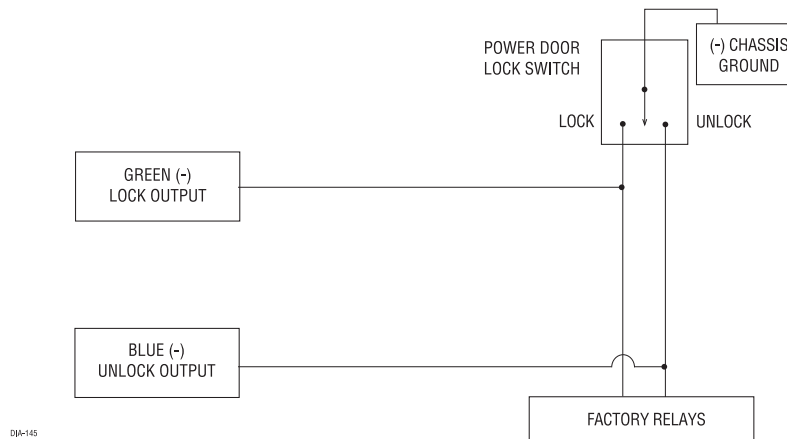


type B: negative (-) pulse

This system is common in many Toyotas, Nissans, Hondas, and Saturns, as well as Fords with keyless entry systems (some other Fords also use Type B). Most European Ford vehicles with (-) negative pulse locking are high current so a 451M or 2 relays need to be used.

The switch will have three wires on it, and one wire will test ground all the time. One wire will pulse negative (-) when the switch locks the doors, and the other wire will pulse negative (-) when the switch unlocks the doors. This type of system is difficult to mistake for any other type.

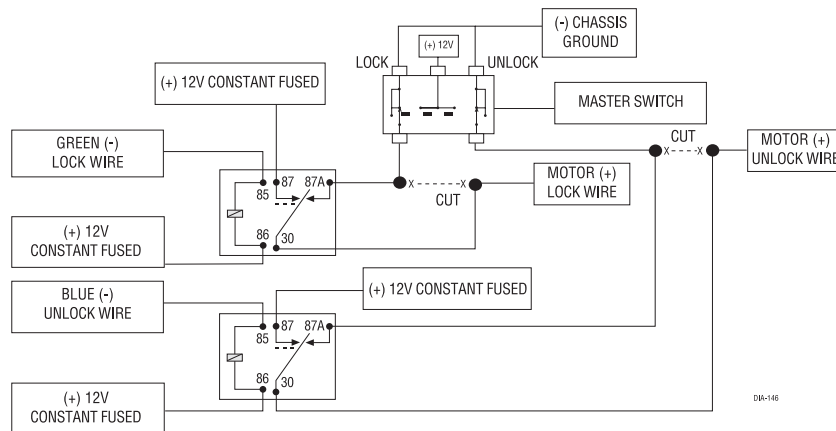
***IMPORTANT!** Remember that these wires' functions reverse between Type A and Type B.*



type C: reversing polarity

Interfacing with a reversing polarity system requires either two relays or one DEI 451M (not included). It is critical to identify the proper wires and locate the master switch to interface the door locks properly. Locate wires that show voltage on lock and unlock. Cut one of the suspected wires and check operation of the locks from both switches. If one switch loses operation in both directions and the other switch operates in one direction only, you have located one of the target wires. The switch that lost all operation is the master switch. If one switch works in both directions and the other switch works in only one direction, you have a Type A system. If both switches still operate, but one or more doors has stopped responding entirely, you have cut a motor lead. Reconnect it and continue to test for another wire. Once both wires have been located and the master switch has been identified, cut both wires and interface as shown in the following diagram.

IMPORTANT! If these wires are not connected properly, you will send (+) 12 volt directly to (-) ground, possibly damaging the alarm or the factory switch.

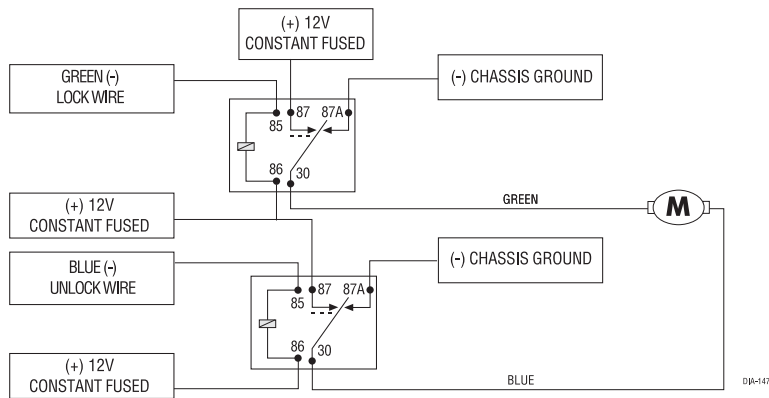


IMPORTANT! Do not connect the outputs of the alarm directly to the actuator.

type D: after-market actuators

In order for this system to control one or more after-market actuators, a DEI 451M or two relays (optional) are required. Vehicles without factory power door locks require the installation of one actuator per door. This requires mounting the door lock actuator inside the door. Other vehicles may only require one actuator installed in the driver's door if all door locks are operated when the driver's lock is used.

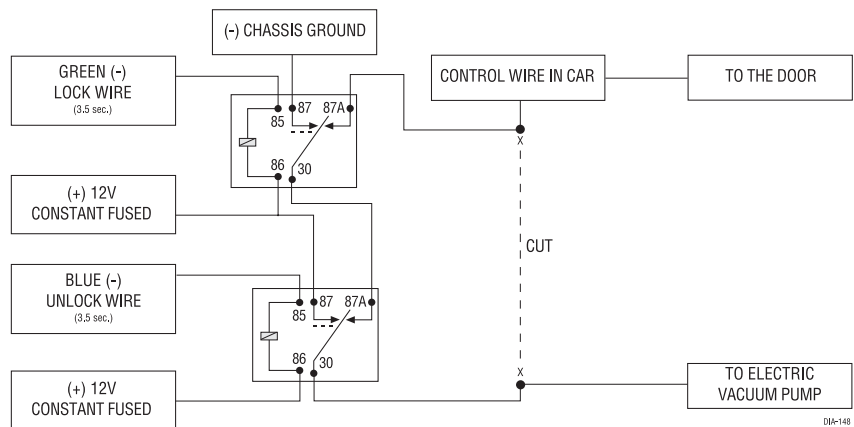
The fuse used on 12 volt inputs should be 7.5A per motor installed in the vehicle.



type E: mercedes-benz and audi (1985 & newer)

Type E door locks are controlled by an electrically activated vacuum pump. Some Mercedes and Audis use a Type D system. Test by locking doors from the passenger key cylinder. If all the doors lock, the vehicle's door lock system can be controlled with just two relays (optional). The control wire can be found in either kick panel and will show (+)12 volt when doors are unlocked and (-) ground when doors are locked.

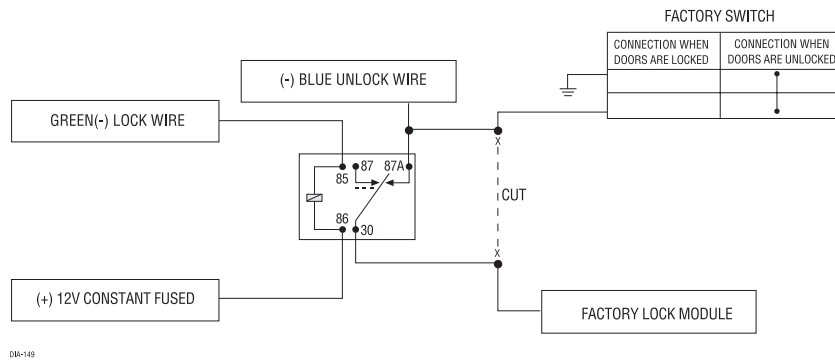
To interface see diagram below. The system must be programmed for 3.5 second door lock pulses up to 1993 and 1 second pulse 1994 or newer.



type F: one-wire system

Type F door locks usually require a negative pulse to unlock and cutting the wire to lock the door. In some vehicles, these functions are reversed. Type F door locks are found in late-model Nissan Sentras, some Nissan 240SX, and Nissan 300ZX 1992-up. They are also found in some Mazda MPVs, some Mitsubishi's, and Lotus.

One relay (optional) is used to interface to this type of system as follows:



type G: positive (+) multiplex

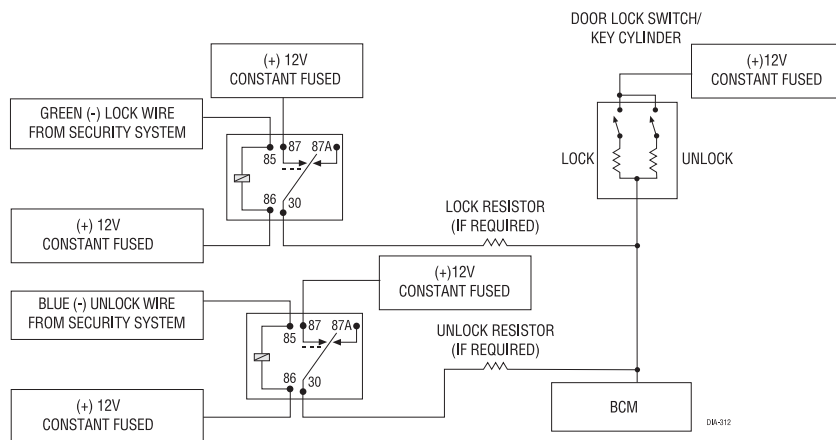
The door lock switch or door key cylinder may contain either one or two resistors. When interfacing with this type of door lock system, two relays or a DEI 451M must be used.

Single-Resistor Type

If one resistor is used in the door lock switch/key cylinder, the wire will pulse (+)12 volt in one direction and less than (+)12 volt when operated in the opposite direction.

Two-Resistor Type

If two resistors are used in the factory door lock switch/key cylinder, the switch/key cylinder will read less than (+)12 volt in both directions.



type H: negative (-) multiplex

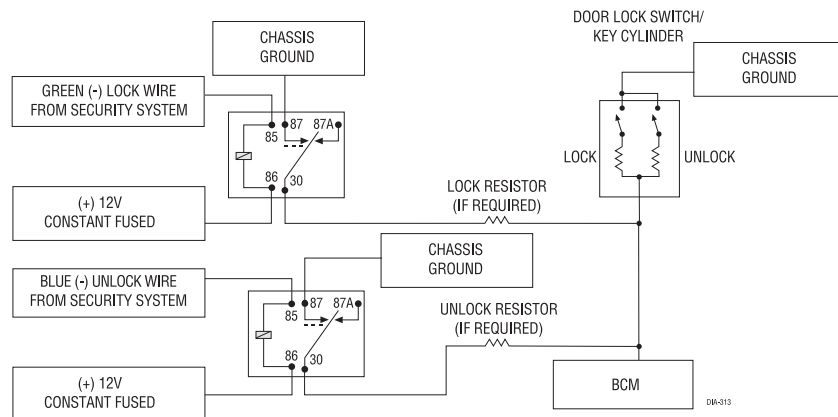
The door lock switch or door key cylinder may contain either one or two resistors. When interfacing with this type of door lock system, two relays or a DEI 451M must be used.

Single-Resistor Type

If one resistor is used in the door lock switch/key cylinder, the wire will pulse ground in one direction and resistance to ground when operated in the opposite direction.

Two-Resistor Type

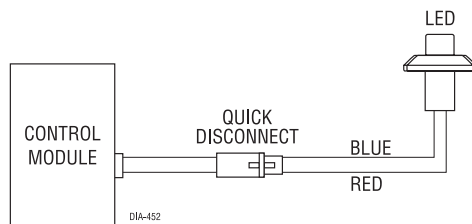
If two resistors are used in the factory door lock switch/key cylinder, the door lock switch/key cylinder will read resistance to ground in both directions.



peripheral plug-in harnesses

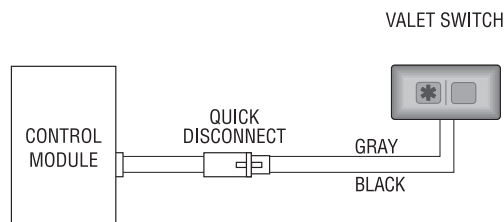
super bright blue led, 2-pin white plug

The super bright LED operates at (+) 2V DC. Make sure the LED wires are not shorted to ground as the LED will be damaged. Multiple LEDs can be used, but they must be wired in series. The LED can be top-mounted or flush-mounted. If top-loading the LED with a bezel, the LED fits into a 5/16-inch mounting hole. If flush-mounting the LED from the back of a panel, drill a mounting hole using a 17/64-inch drill bit. Be sure to check for clearance prior to drilling the mounting hole.



plain-view valet

The Valet/Program switch should be accessible from the driver's seat. It plugs into the blue port on the side of the unit. The switch is coded for protection so it need not be hidden. Consider how the switch will be used before choosing a mounting location. Check for rear clearance before drilling a 9/32-inch hole and mounting the switch.



sensor harness, 4-pin connector

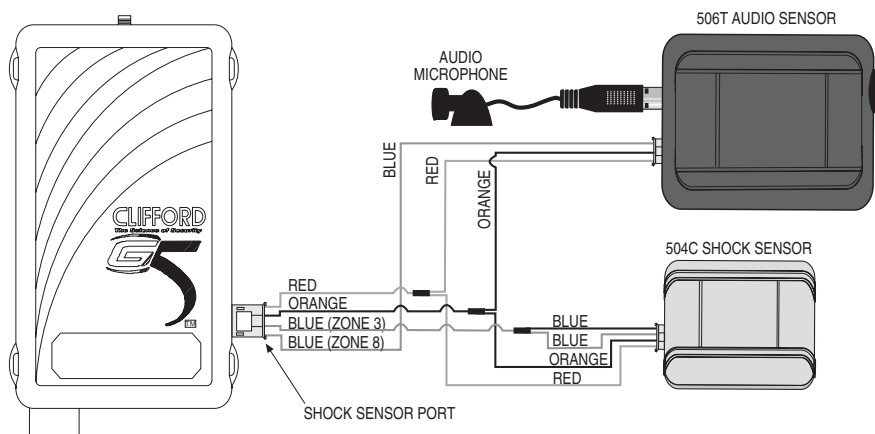
red and black wires

These wires supply 12 volts when the system is armed and ground to the sensor.

blue and orange wires, zone 3 zone 8

These wires are multiplex inputs. If a (-) input of less than 0.8 seconds is supplied to either wire, the Warning Zone response will occur. A (-) input of longer than 0.8 seconds to either wire will initiate the triggered sequence and report Zone 3 or Zone 8.

NOTE: For mounting and adjustment of sensors, please refer to the Mux Sensors section of this guide.



mounting the receiver/antenna

NOTE: Be sure not to bundle excess cable as this will reduce the range.

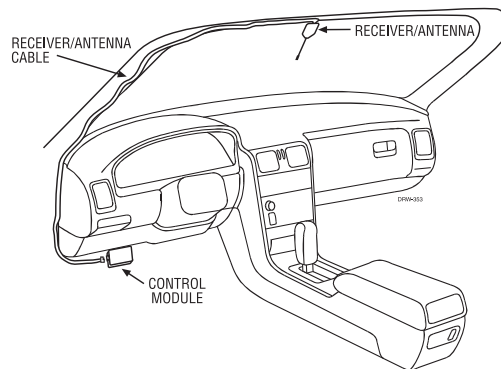
The receiver/antenna position should be discussed with the vehicle owner prior to installation since the antenna may be visible to the vehicle's operator.

The best position to locate the receiver/antenna is centered high on either the front or rear windshield. For optimal range, the antenna should be mounted vertically. It can be mounted horizontally in relation to the windshield or under the dashboard away from metal, but range will be reduced. Metallic window tint can also affect range, so this should be a consideration when determining the mounting location.

After determining the best mounting location, follow these steps:

1. Clean the mounting area with a quality glass cleaner or alcohol to remove any dirt or residue.
2. Plug the receiver/antenna cable into the receiver/antenna.
3. Mount the receiver/antenna with double-sided tape.
4. Route the receiver/antenna cable down the window pillar to the control module

and plug the cable into the control module.



arming/disarming diagnostics

The systems microprocessor monitors and reports all active and violated zones when arming and disarming the system.

arming

Zones that are triggered at the time the system is armed are reported by an additional set of status chirps called Malfunction AutoBypass. The specific zone bypassed is then reported by the LED. For more zone information, refer to *Table of Zones* section of this guide.

disarming

If a zone is triggered, three disarm chirps will sound. The specific zone that was triggered is then reported by the LED when the ignition is turned on. For more zone information, refer to the *Table of Zones* section of this guide.

system status chirps

Action	No. of Chirps	Description
Arm	2	System armed.
Arm	4	System armed with hood or trunk bypass zones 5 and 6.
Arm	2 (5-second pause) 4	System armed with door bypass zone 4
Arm	2 (10-second pause) 4	System armed with sensor active and bypassed zones 1, 3, and 8.
Disarm	1	System disarmed.
Disarm	3	System disarmed with zone violation

remote siren silencing

While the siren is sounding, press the arm/disarm button once to silence the siren but leave the system in the armed state. To disarm the system, press the arm/disarm button a second time.

NOTE: If the remote control battery is low, the siren will generate a single low pitched chirp when disarming.

multiple event total recall

This will report the last eight system triggers.



1. Press and hold  of the PlainView 2 Valet switch.
2. While still holding , arm and disarm the system, then release the button.
3. The LED will start to blink to indicate the most recent trigger and proceed down to the eighth trigger. If fewer than eight triggers are stored in memory, the LED will blink continuously until the system is armed/disarmed or the ignition is turned on. For more information, please refer to the Table of Zones section of this guide.

table of zones

When using the diagnostic functions, use the Table of Zones to see which input has triggered the system. It is also helpful in deciding which input to use when connecting optional sensors and switches.

LED Flashes	Trigger type	Input description
1	Data	Proximity Sensor
2	N/A	Not Used
3	Mux 1	Sensor Input
4	Instant	Door Pin Input
5	Instant	Trunk Pin Input
6	Instant	Hood Pin Input
7	Instant	Ignition Input
8	Mux 2	Sensor Input
9	N/A	Not Used
10	N/A	Alarm power reset

system features programming

This system has many features that can be programmed to accommodate the user's personal preferences and make system installation easier. They are listed in two programming grids on the following pages. Many features have default settings that have been programmed at the factory and are indicated in bold type.

The User Selectable Features grid allows the user and installer to change operational features through the PlainView 2 Valet. The Installer Selectable Features grid allows the installer to change input/output functions of the system to integrate with the vehicle's specific characteristics.



cliffnet wizard pro installation software programming

Cliffnet Wizard Pro provides access to all available system features and some that are not available when manually programming with the Valet switch. Cliffnet Wizard Pro is compatible with Microsoft Windows 95/98/2000/ME/XP/NT so most programming operations can be accomplished by pointing and clicking with a mouse. This eliminates the need for programming grids and lengthy programming sequences. For a complete guide to system programming using the Cliffnet Wizard Pro refer to the Cliffnet Wizard help menu.




manual programming instructions


Be sure to document changes by taking note of all feature changes made in programming mode.

To enter the User Selectable Features programming:

1. Ignition on - Turn the ignition to the run position or start the engine.
2. Enter PIN - Enter the factory preset PIN code of 2 by pressing  on the PlainView 2 Valet switch twice, then  once.

NOTE: If the factory preset PIN has been changed, the new PIN must be entered.













3. Hold/Chirp/Release - After entering the PIN code, press and hold  until a chirp is heard and the LED turns on, then release the button. You have now entered the feature selection position of the User Selectable Features grid.
4. Column select - Press  the same number of times as the desired column. After a pause the siren will chirp the same number of times as the selected column for confirmation.
5. Feature select - Press  the same number of times as the desired feature. The siren will chirp with each press. The feature can now be changed using the remote control.
6. Feature change - Press the arm/disarm button on the transmitter. If the system chirps once, the feature has just turned off; if the system chirps twice, the feature has just turned on. If the feature has more than two settings, continue pressing the arm/disarm button on the transmitter to toggle through the settings.

To advance to the next feature in the same column, press  the same number of times as the desired feature within 60 seconds; to change a feature in a different column begin at step 4 by entering the column number first and then the row number.

NOTE: Refer to the Feature Descriptions sections of this guide for important notes and descriptions of the system features and programming.

7. Exit programming - To exit programming mode turn the ignition off or wait 60 seconds without pressing the PlainView 2 Valet switch. The siren will chirp three times to indicate programming mode has been exited.

user selectable features

Then Press \ First Press	1 x 	2 x 	3 x 
1 x 	Add new remote (autolearn)	Set PIN code (default = 2)	New remote learn arm/disarm only
2 x 	Auto (passive) arm on/off	Select siren sounds	New remote learn accessory A channel
3 x 	Chirps on/off/ quiet	FACT II on/off	New remote learn accessory B channel
4 x 	Auto lock ignition /off/rpm	Remote valet on/off	New remote learn silent mode
5 x 	Auto unlock ignition /off	Entry delay on/off	New remote learn remote valet
6 x 	Auto (passive) arm and lock on/off	Reset to default (except transmitter and valet code)	New remote learn remote start*
7 x 	Siren duration 30/60/90	Panic on/off	New remote learn window down/vent**
8 x 	Second unlock off/on	Autostart setting* (off/battery only/ temp only/ battery and temp)	Not Used
9 x 	Not used	Not Used	Clear all remotes

* This feature is only available with optional IntelliStart connected.

** This feature is only available with optional SmartWindows connected.

user selectable features descriptions - column one

add new remote (only applicable with Radar 2 remote)

- Auto-learn new remote controls to the system in the standard button configuration. For more information, see programming note #1.

auto (passive) arm - off/on

- Off: The transmitter must be used to arm the system.
- On: When the system sees the ignition turn off and the last protected entry (door, hood, or trunk) close, it will begin a 30-second countdown before arming itself. After the first five seconds, you will hear two chirps and the lights will flash. The system will arm 25 seconds later.

chirps - off/on/quiet

- Off: Chirps will not sound when arming/disarming the system.
- On: Chirps will sound when arming/disarming the system.
- Quiet: Chirps will sound when arming/disarming the system but at a lower volume than normal.

auto lock - off/ignition/rpm

- Off: The doors will not lock automatically.
- Ignition: The doors will automatically lock three seconds after the ignition is turned on unless a door is open at that time.
- Rpm: The doors will lock when the system sees the engine reach a preprogrammed RPM. The H1/4 VIOLET/BLACK or Intellistart must be connected.

auto unlock - off/ignition

- Off: The doors will not automatically unlock when the ignition is turned off
- Ignition: The doors will automatically unlock as soon as the ignition is turned off.

auto (passive) arm lock - off/on

- Off: The doors will not lock when the system passively arms.
- On: The doors will lock when the system passively arms. This feature only applies when passive arming is programmed on.

siren duration - 30/60/90

- The system will sound the alarm for the programmed duration (30/60/90 seconds) during an alarm trigger or when the system is put into panic mode.

second unlock - off/on

- Off: Second unlock output is pulsed at the same time as the unlock output when the system is disarmed.
- On: Second unlock output is active when the arm/disarm button is pressed within 10 seconds of disarming the system.

user selectable features descriptions - column two

set pin code

- This feature allows the setting of the user's personal PIN code. For more information, see programming note #5. The factory default PIN code is 2.

select siren sounds

- The individual sounds the siren produces during an full trigger alarm can be customized for owner recognition of an alarm trigger. For more information, see programming note #3.

fact II - off/on

- Off: The alarm will respond to zone inputs indefinitely without bypassing.
- On: The alarm will bypass for 60 minutes zones that are triggered three times within a one hour period.

remote valet - off/on

- Off: The alarm can not be put into valet mode with the remote control.
- On: The alarm can be put into valet mode with the remote control.

entry delay - off/on

- Off: There is no entry delay when the system has passively armed. The system will trigger instantly when a door is opened.
- On: If the system has passively armed, it will not trigger for 15 seconds after a door is opened allowing the user to enter the vehicle and disarm the system via the PlainView 2 Valet switch.

reset to default settings

- All system settings (except PIN and remote programming) in the User Programming grid will be reset to their default factory setting as indicated in bold lettering.
- Press the arm/disarm button of the TX; the siren will chirp twice as confirmation.

panic off/on

- Off: The panic feature is not available.
- On: The panic feature is available.

auto start setting - off/battery only/temp only/battery and temp

- Off: The vehicle will not autostart.
- This feature is only available with the IntelliStart option.
- Battery: The vehicle will only autostart when the car battery gets low.
- Temperature: The vehicle will only autostart at a preset low temperature.
- Battery and temperature: The vehicle will autostart with a low car battery or low temperature.

NOTE: Temperature and battery calibration and settings can be made only with the Cliffnet Wizard.

user selectable features descriptions - column three

The features in this column pertain to programming individual transmitter channels in custom configurations. Following is an explanation of the features. Program the individual transmitter channels following the instructions in programming note #2.

arm/disarm only

- The remote control channel programmed into this feature will arm/disarm the system only.

NOTE: When programming a new remote control to custom configuration a channel must first be programmed to this feature before programming the remaining channels.

accessory a output

- The transmitter channel programmed into this feature will activate the accessory output.

accessory b output

- The transmitter channel programmed into this feature will activate the accessory output.

silent mode

- The transmitter channel programmed into this feature will arm/disarm the system, but the siren will not chirp.

remote valet

- The transmitter channel programmed into this feature will make the system enter/exit valet mode.

remote start

- This feature is only available with IntelliStart connected
- The transmitter channel programmed into this feature will activate or shut down the Intellistart remote start system.

window control


- This feature is only available with SmartWindows connected
- The transmitter channel programmed into this feature will activate the vent or roll down feature of the SmartWindows system.










clear all remotes

- This feature will erase all remote codes from the system memory. This feature is convenient for erasing any transmitters that have been lost, stolen, or incorrectly programmed into the system.
- After entering this feature press any button on the transmitter; the siren will chirp to indicate that all transmitters have been erased from memory.

installer selectable features

To enter the Installer Selectable Features grid follow the instructions for the User Selectable Features with the exception of step 3. Perform step 3 as described below to enter the Installer Selectable Features grid.

Hold/Chirp/Release - After entering the PIN code, press and hold  until the siren chirps once. Continue holding for approximately 10 seconds until the siren chirps three times, then release the button. You have now entered the feature selection position of the Installer Selectable Features grid.

Then Press \ First Press	1 x 	2 x 	3 x 
1 x 	Lock pulse single /double	Acc. output A P1 */ P2**/timer A/latch/ latch (ignition reset)	Program RPM
2 x 	Unlock pulse single /double	Acc. output B P1 */ P2**/timer B/latch/ latch (ignition reset)	Engine type petrol /diesel***
3 x 	Lock pulse duration 0.8 /3.5 sec	One time valet off /on	Program SmartWindows 4****
4 x 	Delay domelight off /on	Timer A duration for acc output A	Horn output pulsed /latched
5 x 	Acc. output B auto-activate off /arm/disarm/both	Timer B duration for acc output B	Auto immobilization off /on
6 x 	Software select***** proximity /shock	Not used	Not used

* P1 = Pulsed channel output is disabled with the ignition on or the alarm is armed.

** P2 = Pulsed channel output works anytime.

*** Only with optional IntelliStart connected.

**** Only with optional SmartWindows connected.

***** Remote adjustable sensor port: The 3-pin proximity/shock port can be used for either the proximity sensor or the remote adjustable magnetic resonance impact sensor. This programming branch is used to choose the sensor software. The proximity sensor is the default 2 chirp setting. The impact sensor is the 1 chirp setting.

installer selectable features descriptions - column one

lock pulse single/double

- Single: One door lock pulse will be output when the system arms.
- Double: Two door lock pulses will be output when the system arms.

unlock pulse single/double

- Single: One door unlock pulse will be output when the system disarms.
- Double: Two door unlock pulses will be output when the system disarms.

lock pulse duration 0.8/3.5 sec

- 0.8 seconds: The door lock pulses will be 800 milliseconds in length.
- 3.5 seconds: The door lock pulses will be 3.5 seconds in length.

delay domelight

- Off: Smart auto testing will generate a warning to indicate the door is open.
- On: Smart auto testing will ignore the domelight until it goes off.

accessory output b auto activation

NOTE: The accessory output will not auto-activate if programmed to latched setting.

- Off.
- Arm: The accessory output will auto-activate when the system is armed.
- Disarm: The accessory output will auto-activate when the system is disarmed.
- Both: The accessory output will auto-activate when the system is armed and disarmed.

installer selectable features descriptions - column two

accessory output a programming

The auxiliary accessory output wire (RED/WHITE) can be programmed for several different types of outputs.

- P1 0.8 seconds: The pulsed output is disabled with the ignition on or the alarm armed.
- P2 0.8 seconds: The pulsed output will operate any time.
- Timed: The length of output duration set.
- Latched: The output on/off controlled by button(s) controlling accessory.

- Latched (ignition reset): The output on/off controlled by button(s) controlling accessory if on, will turn off when the ignition is turned on.

accessory output b programming

The auxiliary accessory output wire (WHITE/BLUE) can be programmed for several different types of outputs.

- P1 0.8 seconds: The pulsed output is disabled with the ignition on or the alarm armed.
- P2 0.8 seconds: The pulsed output will operate any time.
- Timed: The length of output duration set.
- Latched: The output on/off controlled by button(s) controlling accessory.
- Latched (ignition reset): The output on/off controlled by button(s) controlling accessory if on, will turn off when the ignition is turned on.

one time valet - off/on

- Off: Does not allow one time valet mode feature.
- On: Allows one time valet mode feature.

accessory output a timer duration

- Start Timer: Press the arm/disarm button; the siren will chirp to signal the start of the timer duration setting.
- Stop Timer: Press the arm/disarm button; the siren will chirp to signal the end of the timer duration setting, or for maximum time, do not press the arm/disarm button.

NOTE: The timer max setting is 255 seconds.

accessory output b timer duration

- Start Timer: Press the arm/disarm button; the siren will chirp to signal the start of the timer duration setting.
- Stop Timer: Press the arm/disarm button; the siren will chirp to signal the end of the timer duration setting, or for maximum time, do not press the arm/disarm button.

NOTE: The timer max setting is 255 seconds.

installer selectable features descriptions - column three

rpm programming

- Programs the tachometer input for the BlackJax and door locks. For more information, see programming note #4.

engine type petrol/diesel

- This feature applies only if IntelliStart 4 is installed.
- Petrol: The IntelliStart will crank the engine three seconds after the ignition is turned on or after input on the wait-to-start wires ceases.
- Diesel: The IntelliStart will crank the engine 20 seconds after it turns the ignition on and will ignore the wait-to-start input wires.

NOTE: RPM must be reprogrammed after changing this feature.

smart windows program

- This feature applies only if SmartWindows is installed.
- Enter this feature and then follow the programming instructions included with SmartWindows.

horn output - pulsed/latched

- Pulsed: H2/9 YELLOW/WHITE wire will generate a pulsing (-) output when the alarm is in full trigger. When arming and disarming the output does not operate.
- Latched: H2/9 YELLOW/WHITE wire will generate a constant (-) output when the alarm is in full trigger. When arming and disarming the output will pulse as per the standard chirp pulses.

auto immobilization - off/on

- Off: Turns the auto immobilization feature off.
- On: Turns the auto immobilization feature on.

programming notes

Note #1: Adding a new transmitter in auto-learn configuration

- Press the arm/disarm button of the remote control; the siren will chirp once.
- Immediately press arm/disarm again; the siren will chirp twice to confirm the new transmitter has been programmed.



Note #2: Adding a new transmitter in custom-configuration

- For the arm/disarm channel, transmit the channel of the new three, four, or five button transmitter that you want to control that feature; the siren will then chirp once.
- Immediately transmit the same channel again, the siren will chirp twice to confirm the transmitter channel has been programmed.
- For the rest of the channels only one press of the button is required to learn, and the siren will chirp the same number of times as the feature row.

NOTE: When programming a new transmitter to custom configuration, an arm/disarm channel must first be programmed before programming the remaining channels.

Note #3: Selecting siren sounds

After entering this feature, press the arm/disarm button. The siren will generate a five-second sample of each available siren sound. Perform the following steps to add or delete that specific sound.

- Add sound: Press  on the PlainView 2 Valet switch while playing the desired sound to add that sound.
- Delete sound: Press  on the PlainView 2 Valet switch while playing the desired sound to delete that sound.

Note #4: RPM programming

- Drive the vehicle to an open area and allow the engine to warm up until the engine RPM drops to normal idle speed.
- Place the engine in park or neutral and set the parking brake.
- Enter the feature and press the arm/disarm button.
- The lights will flash twice to confirm the engine RPM has been learned.





NOTE: If only one flash is seen, the engine RPM was not successfully learned. Test the tach wire connection and retry.








- Turn the ignition off and activate BlackJax or RPM door locks to test.

Note #5: PIN Programming

A PIN code can have one to four digits; each digit can be from 0-9.


NOTE: A PIN code cannot begin with a zero.

- Programming Procedure
 1. Enter the feature location in the user-selectable programming grid.
 2. Immediately press and release  of the PlainView 2 Valet switch.
 3. Select each digit by pressing  1-9 times, and then press  to enter the number into the system. To enter a zero, press  only.

- To program a PIN code of 1032:
 1. Press and release  once and  once. You will hear one chirp.
 3. Press and release  once. You will not hear a chirp after programming a zero.
 5. Press and release  three times, and then press  once. You will hear three chirps.
 6. Press and release  two times, and then press  once. You will hear two chirps.
 4. Wait for two siren chirps after a five second pause or five seconds after the last digit has been entered if using less than four digit code number.
 5. Turn off the ignition; the siren will chirp three times.
 6. The programming mode is now exited.

- PIN Code Confirmation Procedure

Begin this procedure within 15 seconds of finishing the programming sequence or the new code will not be set.

 1. Turn on the ignition.
 2. Enter the new PIN code.
 3. Press and hold  for three seconds.
 - LED turns on: New PIN code is learned and programming is complete.
 - LED stays off: New PIN code is not learned and the system reverts to the old PIN code. Repeat the programming sequence.

Note #6: Accessory Channels

- All accessory channels can be programmed to different types of outputs including a pulsed output defeated when ignition is on or the system is armed, a pulsed output regardless of the ignition/armed state, a timed output, a latched output, or a latched output that resets with ignition on.

accessory output a timer duration

- Start Timer: Press the arm/disarm button; the siren will chirp to signal the start of the timer duration setting.
- Stop Timer: Press the arm/disarm button; the siren will chirp to signal the end of the timer duration setting, or for maximum time, do not press the arm/disarm button.

NOTE: The timer max setting is 255 seconds.

- Accessory channel B can be programmed to auto-activate with the arm command of the transmitter, the disarm command of the transmitter, or both. Auto-activate can also be turned off and activate as a normal addition accessory channel output.

accessory output b timer duration

- Start Timer: Press the arm/disarm button; the siren will chirp to signal the start of the timer duration setting.
- Stop Timer: Press the arm/disarm button; the siren will chirp to signal the end of the timer duration setting, or for maximum time, do not press the arm/disarm button.

NOTE: The timer max setting is 255 seconds.

fact II - false alarm control technology

FACT II will bypass an input zone for 60 minutes if the system sees the same zone triggered three times within one hour, the system will bypass that input for 60 minutes. If that zone does not attempt to trigger the system during the 60 minute bypass period, the system will begin to monitor the zone again at the end of the hour. If it does attempt to trigger while bypassed the 60 minute time period starts over. FACT II will also bypass warn away triggers for the 60 minute duration.

FACT II requires that you change the way you test the system once you have it installed. Resetting FACT II requires the 60 minute time period expiring without attempted triggers or the ignition to be turned on and off. This allows the system to be repeatedly triggered, disarmed and rearmed, and still allow FACT II to bypass a faulty zone.

NOTE: Remember to reset with the ignition when testing sensors.

smart power up II

The Smart Power Up II feature ensures that when the security system is powered back up after being disconnected, the system will resume the same state it was in before power was lost. For example, if power is disconnected during a full trigger sequence, the system will still be in the full trigger sequence when power is reconnected to the unit. If power is disconnected while the unit is disarmed, it will still be disarmed when power is restored.

remote control sensor disable

1. Arm the system.
2. Use the transmitter to bypass the sensor.
3. The lights will flash four times. All warn away zones are now bypassed.
4. Transmit the sensor bypass channel again.
5. The lights will flash four times again. The sensor warn away and full trigger zones are now bypassed.
6. The sensor zones will reset when disarmed.

mux sensors

audio sensor

The 506T Audio Sensor is a low-current device that provides an added level of protection to an existing security system by detecting sounds that have the acoustic signature of breaking glass or metal-to-glass impacts. It consumes less than 1 mA of current.

adjusting the audio sensor

NOTE: Before testing, all the doors and windows must be shut. If a window is open, the acoustics of the vehicle interior change dramatically. The customer should be informed of this. Also remember that Clifford security systems cannot trigger until three seconds after they are armed.

A single tap of a key or a coin should not trigger the sensor, since it is designed to react to multiple, closely-grouped sounds. A sharp rap with a set of keys should trigger the sensor. If the sensitivity needs to be increased, turn the adjustment screw an eighth of a turn and retest. If the sensitivity needs to be decreased, turn the adjustment screw counter-clockwise and retest.

shock sensor

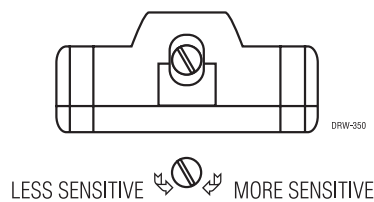
The 504C dual zone magnetic resonance shock sensor provides a warning trigger for lighter impacts to the vehicle as well as a full trigger for heavy impacts.

mounting the shock sensor

Mount the 504C sensor with wire ties or double-sided tape. Air ducts or wiring harnesses work well for mounting, although it is best to avoid harnesses containing lighting circuits.

adjusting the shock sensor

To adjust the sensor, turn the sensor screw clockwise for higher sensitivity or counter-clockwise for less sensitivity.



auto-immobilization feature

Immobilizer circuits automatically activate after 30 seconds.

NOTE: H1/17 orange ground when armed will not activate during Auto-Immobilization

auto-immobilization sequence

1. Turn ignition off or disarm alarm
2. After 30 seconds the systems Immobilization circuits activate and engage the starter and ignition interrupt
3. LED blinks at ½ normal speed.

Disarm the system when immobilized

Use one of the following methods to turn off auto-immobilization

- Turn ignition on and press the arm/disarm button of the transmitter.

- Arm the alarm and then disarm the alarm.
- Turn the ignition on and enter the system valet/PIN code.

one-time valet feature

This feature allows the system to be put in valet mode only until the next time the ignition is turned off.

ON: Valet mode will be exited every time the ignition is turned on.

OFF: Valet mode will only be exited by using the valet switch or the remote control

second unlock feature

OFF: H2/12 Blue/white wire will generate the programmed unlock pulse at the same time as first unlock.

ON: System will monitor disarm channel for 10 seconds after disarm, if disarm channel is again transmitted within 10 seconds, H2/12 Blue/white will generate the programmed unlock output.

troubleshooting

Sensors do not trigger the alarm.

- Has the FACT II system been triggered? To check this, turn the ignition key on and off to clear the FACT II from memory, and then retest the shock sensor. For a detailed description of FACT II, see the *FACT II: False Alarm Control Technology* section of this guide.

Closing the door triggers the system, but opening the door does not.

- Have you correctly identified the type of door switch system? This happens often when the wrong door input has been used.

The system will not passively arm until it is remotely armed and then disarmed.

- Are the door inputs connected? Is a BLUE wire connected to the door trigger wire in the vehicle? The GREEN H1/9 or the VIOLET H1/8 should be used instead.

The PlainView 2 Valet switch does not work.

- Is the quick disconnect plugged in correctly?
- Is it plugged into the correct socket?
- Check the System Features Learn Routine for the default PIN code.
- Has the PIN code been changed?

The status LED does not work.

- Make sure that it is plugged in. (See the *Plug-In Harnesses* section of this guide.) Is the LED plugged into the correct socket?
- Is the quick disconnect plugged in correctly?

wiring reference guide

