

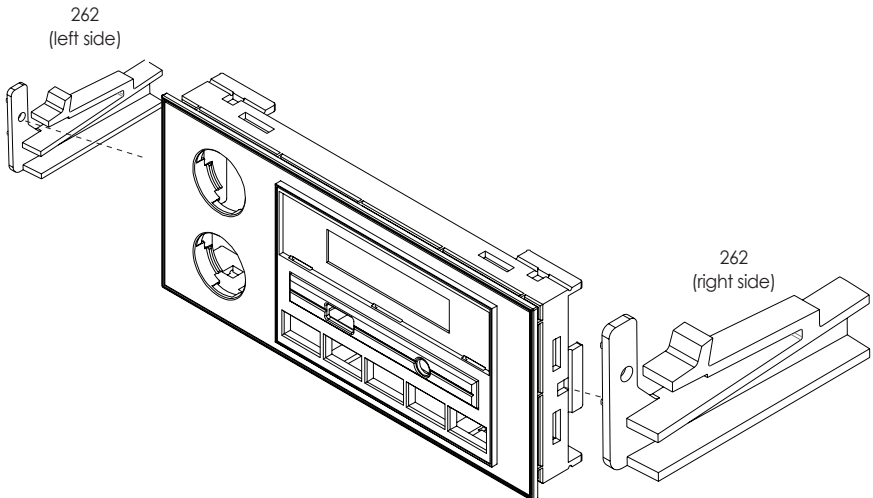
262 KIT

Installation instructions for:

- Cadillac Escalade 1999-02
- Chevrolet Astro 1996-02
- Chevrolet C/K Pickup 1995-02
- Chevrolet Express 1996-00
- Chevrolet Silverado 1999-02
- Chevrolet Suburban 1995-02
- Chevrolet Tahoe 1995-02
- GMC Sierra 1996-02
- GMC Safari 1985-89
- GMC Savana 1996-00
- GMC Suburban 1995-02
- GMC Yukon 1995-02

Once the original radio is removed, use the included nuts and bolts to fasten the brackets to the sides of the radio. You may need to use and modify additional parts that are included with your Newport in order to complete the installation.

Make sure you test the fitment before installing.



WIRING CODES

In your vehicle specific kit, you'll find a wiring harness for your vehicle. This wiring harness plugs directly into your factory wiring harness. Listed below are the vehicle specific color codes from your factory wiring harness. These are for reference only. Always make sure to test your wiring to ensure that they are correct. If your vehicle is equipped with a factory Delco/Bose sound system, you will require a special adapter to install your Newport if you wish to retain your factory amplified speaker system.

GENERAL MOTORS

Memory (+12 volt constant) Orange
Ignition (+12 volt switched) Yellow
Ground (-) Black
Illumination Gray
Dimmer Brown
Power Antenna Pink

Speakers

Right Front (+) Light Green
Right Front (-) Dark Green
Left Front (+) Tan
Left Front (-) Gray
Right Rear (+) Dark Blue
Right Rear (-) Light Blue
Left Rear (+) Brown
Left Rear (-) Yellow