

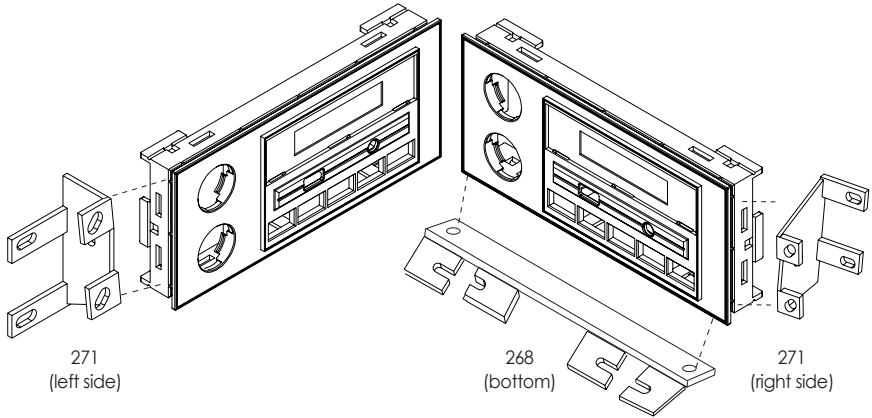
268/271 KIT

Installation instructions for:

- Chevrolet Astro 1985-89
- GMC Safari 1985-89

Once the original radio is removed, be sure to **keep the factory brackets**. If the original brackets are lost or missing, follow the guide below. You may need to use and modify additional parts that are included with your Newport in order to complete the installation.

Make sure you test the fitment before installing.



WIRING CODES

In your vehicle specific kit, you'll find a wiring harness for your vehicle. This wiring harness plugs directly into your factory wiring harness. Listed below are the vehicle specific color codes from your factory wiring harness. These are for reference only. Always make sure to test your wiring to ensure that they are correct. If your vehicle is equipped with a factory Delco/Bose sound system, you will require a special adapter to install your Newport if you wish to retain your factory amplified speaker system.

GENERAL MOTORS

Memory (+12 volt constant) Orange
Ignition (+12 volt switched) Yellow
Ground (-) Black
Illumination Gray
Dimmer Brown
Power Antenna Pink

Speakers

Right Front (+) Light Green
Right Front (-) Dark Green
Left Front (+) Tan
Left Front (-) Gray
Right Rear (+) Dark Blue
Right Rear (-) Light Blue
Left Rear (+) Brown
Left Rear (-) Yellow