

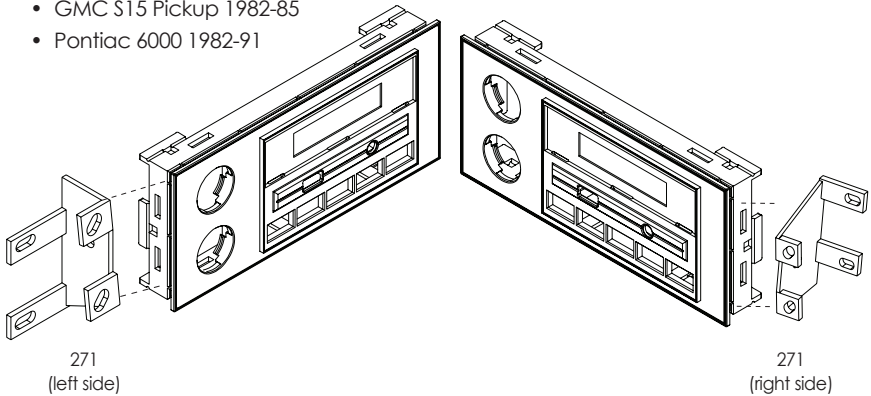
# 271 KIT

Once the original radio is removed, use the included nuts and bolts to fasten the brackets to the sides of the radio. You may need to use and modify additional parts that are included with your Newport in order to complete the installation.

**Make sure you test the fitment before installing.**

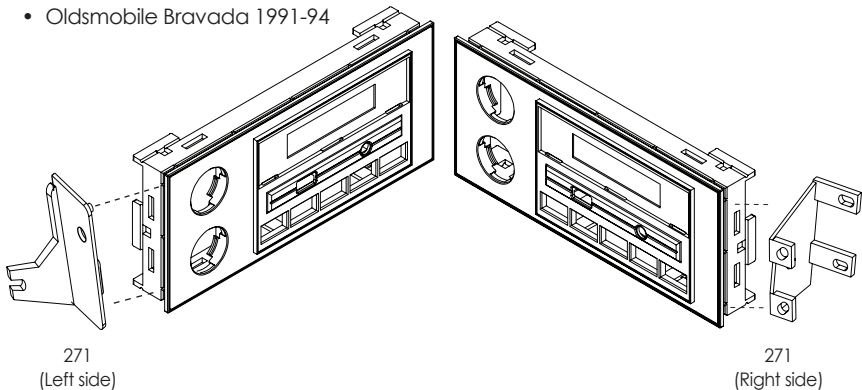
## Installation instructions for:

- Chevrolet Lumina 1990-94
- Chevrolet S10 Blazer 1982-85
- Chevrolet S10 Pickup 1982-85
- GMC S15 Jimmy 1982-85
- GMC S15 Pickup 1982-85
- Pontiac 6000 1982-91



## Installation instructions for:

- Chevrolet S10 Pickup 1986-93
- Chevrolet S10 Blazer 1986-94
- GMC S15 Pickup 1985-93
- GMC S15 Jimmy 1986-94
- Oldsmobile Bravada 1991-94



# WIRING CODES

---

In your vehicle specific kit, you'll find a wiring harness for your vehicle. This wiring harness plugs directly into your factory wiring harness. Listed below are the vehicle specific color codes from your factory wiring harness. These are for reference only. Always make sure to test your wiring to ensure that they are correct. If your vehicle is equipped with a factory Delco/Bose sound system, you will require a special adapter to install your Newport if you wish to retain your factory amplified speaker system.

## GENERAL MOTORS

Memory (+12 volt constant) Orange  
Ignition (+12 volt switched) Yellow  
Ground (-) Black  
Illumination Gray  
Dimmer Brown  
Power Antenna Pink

## Speakers

Right Front (+) Light Green  
Right Front (-) Dark Green  
Left Front (+) Tan  
Left Front (-) Gray  
Right Rear (+) Dark Blue  
Right Rear (-) Light Blue  
Left Rear (+) Brown  
Left Rear (-) Yellow