



### What's in the Box

**Hardware**

- G x(6)
- K x(4)
- I x(2)
- J x(2)
- L x(2)
- M x(4)
- H x(4)

**DIN KIT**

- N
- O
- P

Included in the Radio Motor Box

- H x(4)

### Installation

**1**

To create the Radio Face, plug the ribbon cable from the push-buttons into the display.

Attach the Radio Face (display and push-buttons) to the Radio Motor using the six small screws from the orange bag found in your Radio Face box.

Plug the ribbon cable from the Radio Motor into the display.

**2**

Carefully remove the film from the back side of the faceplate and adhesive strips on the display.

**PERFORM THESE STEPS IN A DUST FREE AREA FOR BEST RESULTS**

Place the faceplate onto Radio Face. Be sure the faceplate and Radio Face are properly aligned then press firmly to attach.

**3**

Slide the DIN Kit brackets up to meet the back of the faceplate and attach them to the Radio Motor with the small machine screws and lock washers. (2 screws per side)

**4**

Place one spacer sleeve on each shaft and secure it with a shaft nut.

Add a U shaped bracket (J) to each shaft and slide the shafts into the Radio Face from behind.

Connect the Control Shafts on each side to the Radio Motor.

**5**

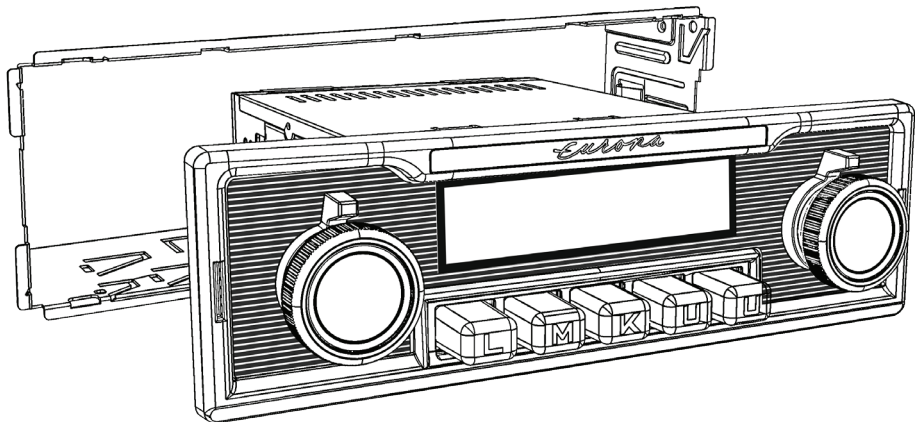
Secure the shafts to the Radio Face with a washer and shaft nut using a deep-well socket. DO NOT OVER TIGHTEN. Finish the assembly by adding the front and rear knobs on each side.

**6**

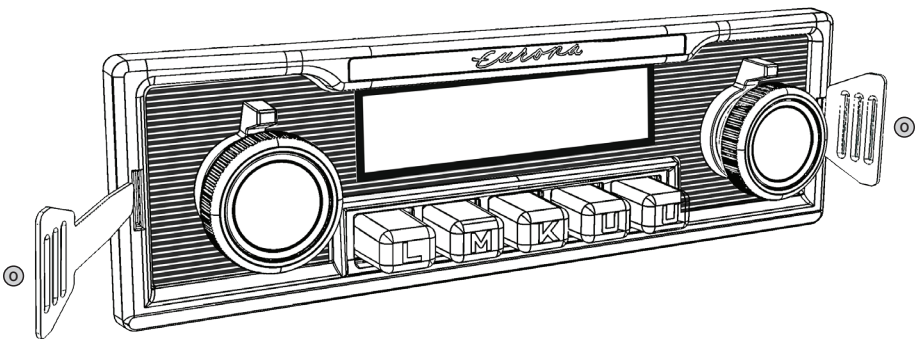
Insert the DIN Sleeve into your dash opening.

Using a screwdriver, push down the tabs on all four sides of the DIN Sleeve that align with the dash to secure it into the dash opening. You will not need to use all of the tabs, only those that align with your dash.

7



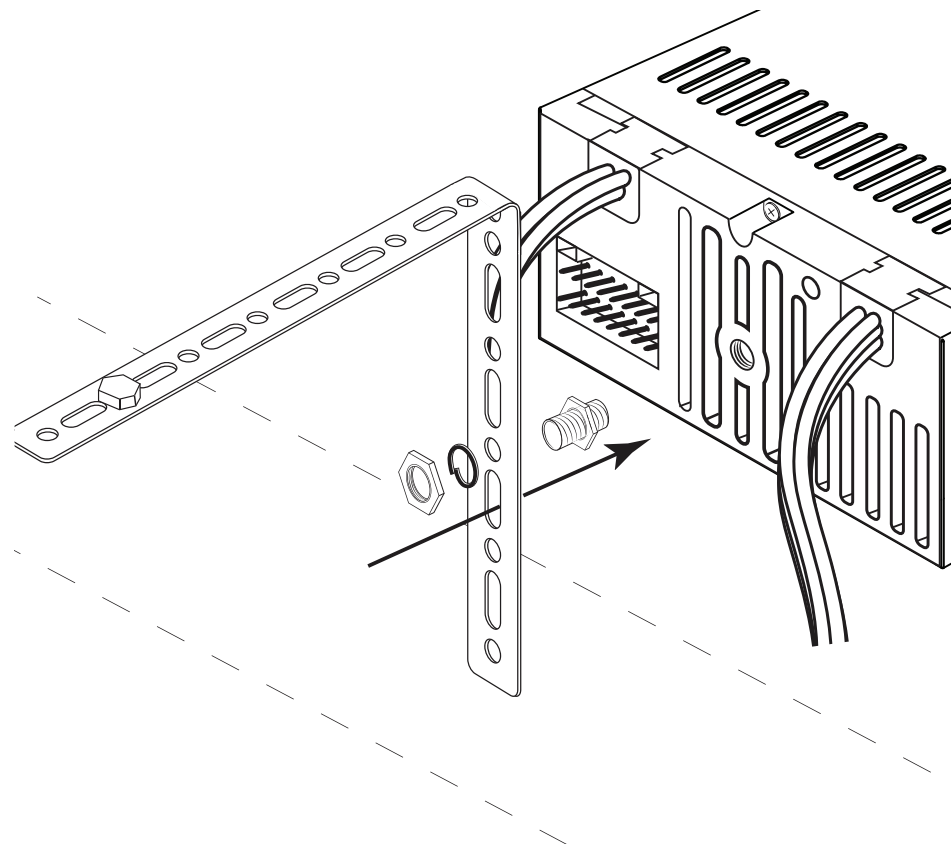
Before inserting the assembled radio into the DIN Sleeve, turn the unit on to test that all connections are correct and the radio is operating as expected. After testing, slide the radio assembly into the DIN Sleeve until the unit clicks into place.



If adjustments are needed, use the included DIN Keys to remove the assembly from the DIN Sleeve.

8

Once the Radio is mounted correctly, install the backstrap to the rear of the radio. Follow the installation instructions included with your Radio Motor.



**IMPORTANT: FAILING TO ATTACH THE BACKSTRAP WILL VOID THE WARRANTY ON THE UNIT.**

## Control Layout



### Radio Presets

#### Setting Radio Presets

To set a preset, tune to the station you want to set the preset to, and then press and hold the desired Preset Button(5) for two seconds.

#### Recalling Radio Presets

To recall a preset, simply press the Preset Button(5) your station was set to previously.

## Basic Operation

### Power On/Off

Press the Left-Front Knob(1) to power the unit on.  
Press and hold the Left-Front Knob(1) to power the unit off.

### Volume

Rotate the Left-Front Knob(1) to change the volume.

### Changing Source Modes

Rotate the Left-Rear Knob(2) clockwise to cycle through the source modes.

### Changing Radio Bands

Rotate the Right-Rear Knob(4) counter-clockwise to cycle through the radio bands.

### Tune

Rotate the Right-Front Knob(3) to scroll through the stations.

### Mute On/Off

Press the Right-Front Knob(3) to mute and unmute.

### Equalizer (EQ)

Press the Left-Front Knob(1) to enter the Tone Control sub-menu. Press and release the Left-Front Knob(1) until you see the EQ setting you'd like to adjust. Rotate the Left-Front Knob(1) to adjust the setting. Press the Left-Front Knob(1) to move to the next item, and repeat to adjust each option. Let the unit time out to set.

### Setting the Clock

Press and hold the Right-Front Knob(3) to enter the System Settings sub-menu. Rotate the Right-Front Knob(3) to cycle through the choices until you see CLK, then press the Right-Front Knob(3) to select. Rotate the Right-Front Knob(3) to adjust the hours. Then press the Right-Front Knob(3) again to move on to minutes. Rotate the Right-Front Knob(3) to adjust the minutes. Let the unit time out to set.

### Display Color\*

Press and hold the Right-Front Knob(3) to enter the System Settings sub-menu. Rotate the Right-Front Knob(3) to cycle through the choices until you see SCAN, then press the Right-Front Knob(3) to cycle through the colors. Let the unit time out to set.

### Beep On/Off

Press and hold the Right-Front Knob(3) to enter the System Settings sub-menu. Rotate the Right-Front Knob(3) to cycle through the choices until you see BEEP ON/OFF, then press the Right-Front Knob(3) to choose between BEEP ON or BEEP OFF. Let the unit time out to set.

\*Some features are not available on all radios.