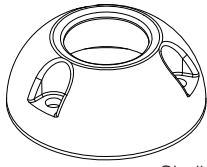
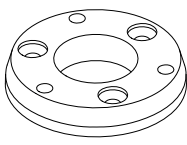
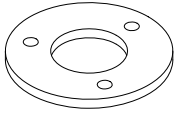


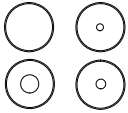
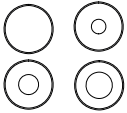
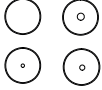


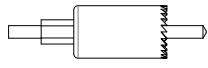



Parts List

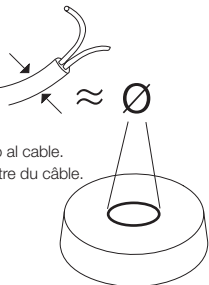
 Shell x1	 Base x1	 Gasket x1	 Self tapping screw DS21 No. 6X16 x3 DS16 No. 4X16 x3
 Bolt - (Black*) DS21 M4X10 x3 DS16 M3X10 x3	 DS21A Bung x4	 DS21B Bung x4	 DS16 Bung x4

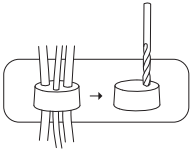
Tools Required

 Pozi Screwdriver	 Silicone
 DS21 - $\varnothing 21\text{mm}$ (0.82") DS16 - $\varnothing 16\text{mm}$ (0.62")	 $\varnothing 2\text{mm}$ (5/64") / $\varnothing 2.5\text{mm}$ (3/32") $\varnothing 3\text{mm}$ (1/8") Drill Bit

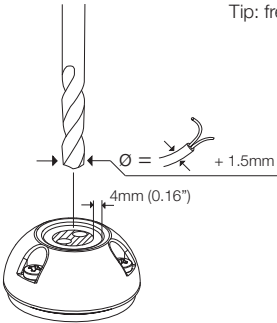
① Choose bung closest to cable \varnothing .

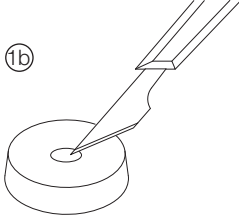
DE - Wähle Dichtung nahe dem Kabel \varnothing .
 IT - Scegliere il passafili adatto al \varnothing del cavo.
 ES - Elija el tapón con el diámetro más parecido al cable.
 FR - Choisissez le joint le plus proche du diamètre du câble.

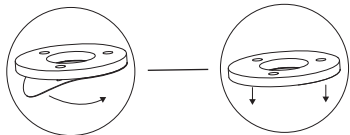


①a 

Tip: freeze before drilling -18°C



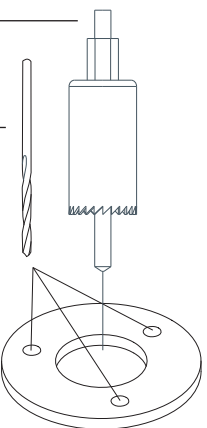
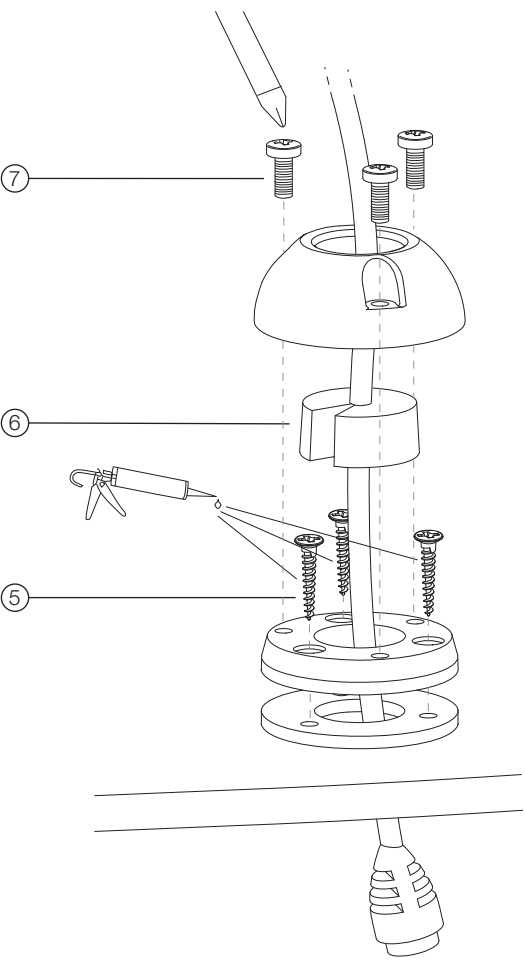
①b 

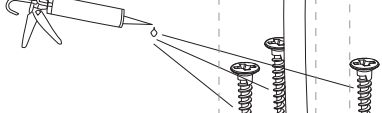
② 

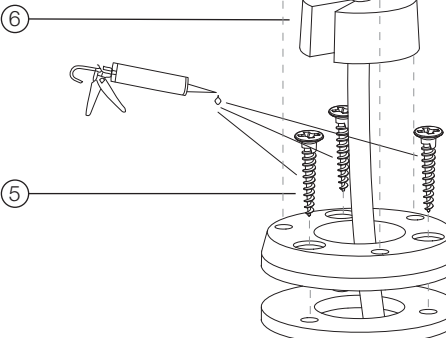
③ 16mm (0.62")
21mm (0.82")

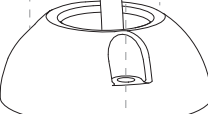
④ Suggested pilot holes:

Material	No. 4 Screw	No. 6 Screw
Soft Material e.g. plywood	2mm (5/64")	2.5mm (3/32")
Hard Material e.g. fiberglass, acrylic, hardwoods	2.5mm (3/32")	3mm (1/8")

⑤ 

⑥ 

⑦ 

Share your installation with us.



UK & International
 +44 (0)1392 531280
 sales@scanstrut.com

For further installation
 and warranty information
 please visit:
 www.scanstrut.com

USA
 +1 860 308 1416
 usasales@scanstrut.com

